

Arte

Architecture for the future

inspirato®



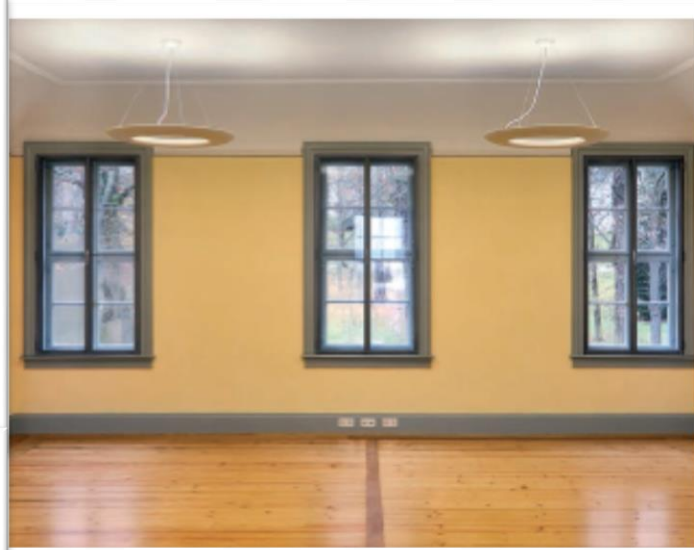
LA
LOMA
WINDOWS & DOORS

Arte Profiles
Options
Page 4

Arte Window
Options
Page 13

Arte Door
Options
Page 25

Table of Contents	1
Inspirato Arte Introduction	2
Characteristics	3
Profile Options	4
Performance Characteristics	5
Technical Data	6
Summary of Types.....	7
Arches	8
Radius Limitations	9
Glass Bead Options	10-11
Glass Options	13
Window Options	14-19
<i>SDL and TDL.....</i>	<i>13</i>
<i>Left-Hand Outswing Casement</i>	<i>14</i>
<i>Left-Hand Inswing Casement.....</i>	<i>15</i>
<i>French Outswing Casement.....</i>	<i>17-19</i>
Window Hardware Options	20
Window Hinge Options	21
Window Fitting Options	22-24
Door Options	25-26
<i>Left-Hand Outswing Door</i>	<i>25-26</i>
<i>Left-Hand Inswing Door.....</i>	<i>27-28</i>
<i>Outswing French Door</i>	<i>29-30</i>
<i>Inswing French Door.....</i>	<i>31-32</i>
<i>Side-Lite, Transom & Outswing Door System.....</i>	<i>33-35</i>
<i>Side-Lite, Transom & Inswing Door System.....</i>	<i>36-38</i>



INSPIRATO

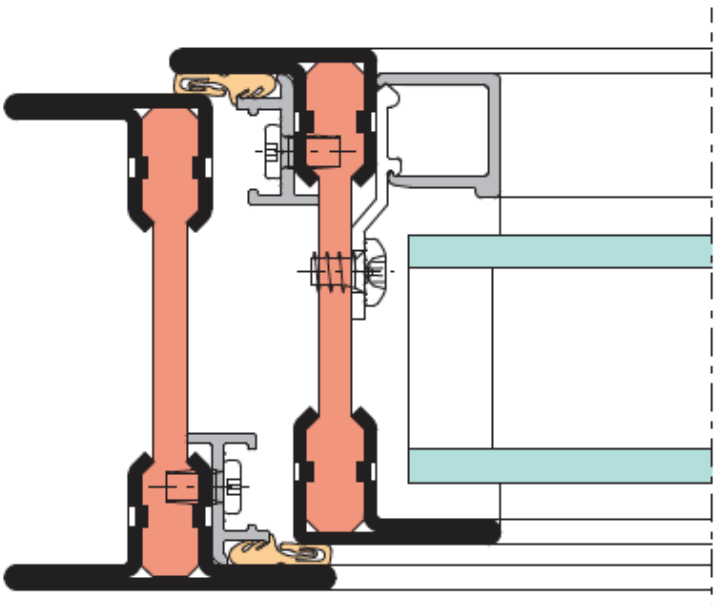
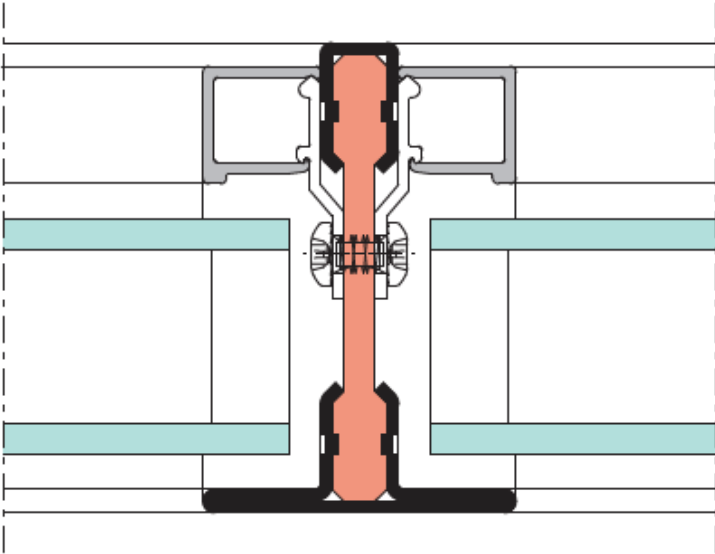
Arte

The Inspirato Arte series has the capacity to recreate a historical look as well as lend a contemporary appearance. With its slender profile, Bauhaus-style glazing can be simulated and restored. The subtle profile yields an elegant ambience to any room.

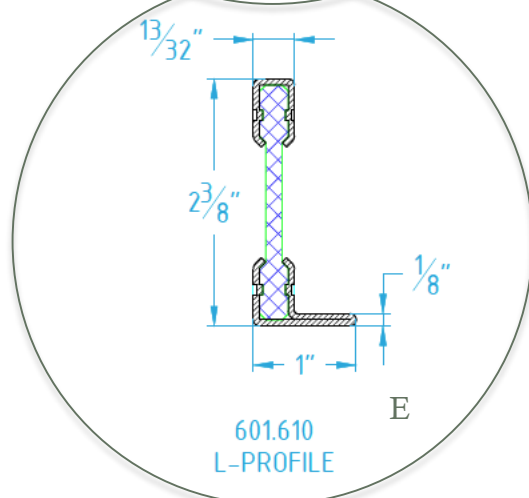
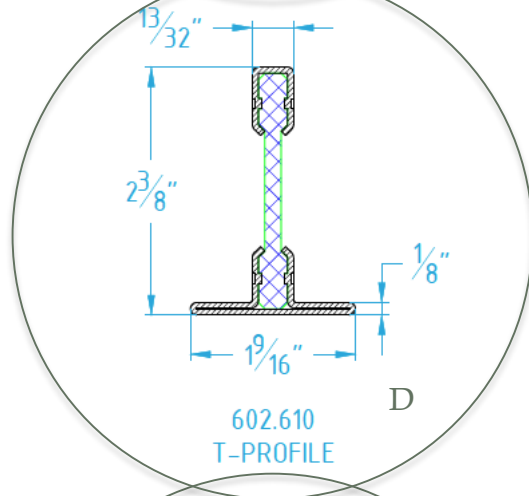
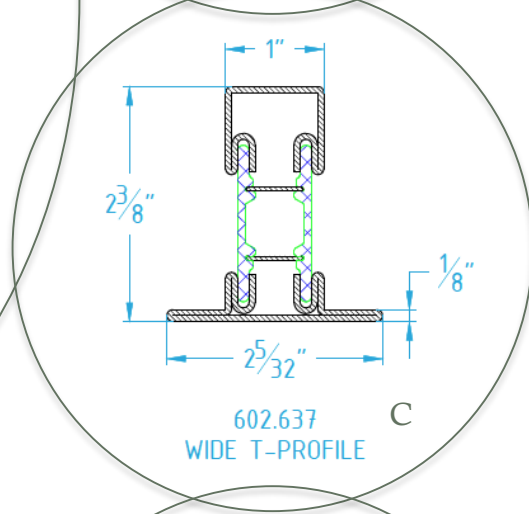
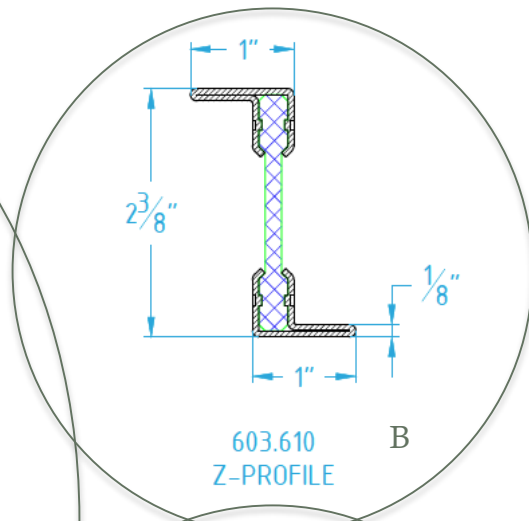
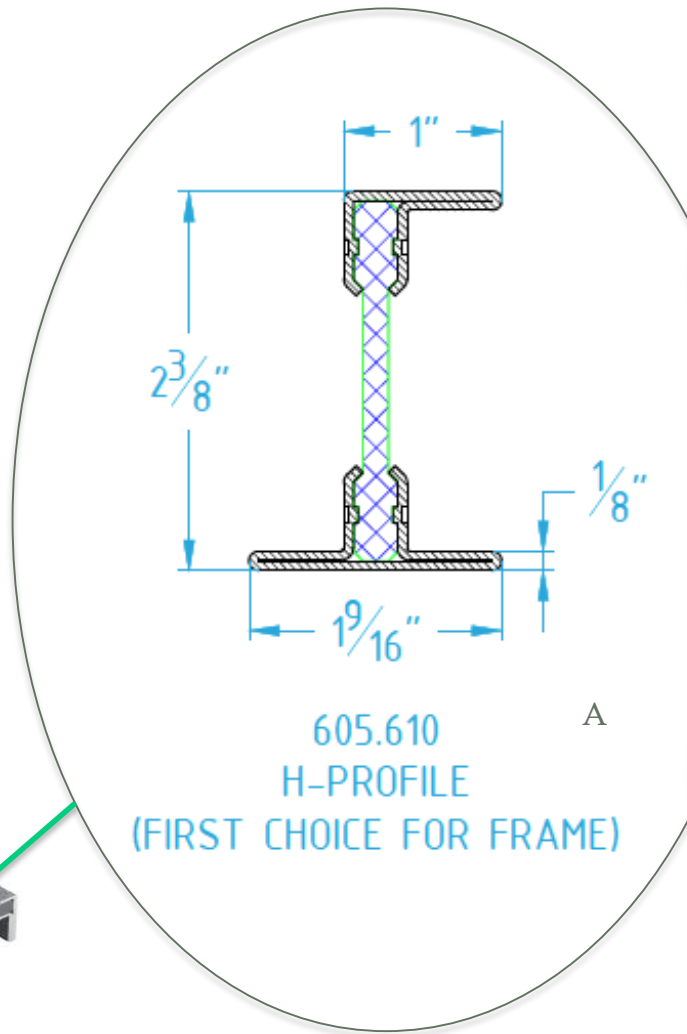
Inspirato Arte profile is preferred among many architects and is offered in *thermally broken* as well as *non-thermally broken*. The thermally broken material is made up of well-crafted and designed steel and fiber-reinforced high performance plastic. This material has guaranteed minimal heat loss and maximum stability. Standard dual glazing can be easily integrated for optimum functionality.

INSPIRATO

Characteristics



- Fixed glazing and inward or outward-opening window vents are possible
- Single and double-vent windows
- Side-hung, bottom-hung, double-vent and projected top-hung windows, inward-opening
- Side-hung, top-hung, double-vent and projected top-hung windows, outward-opening
- Glazing using wet glazing (sealing)
- Maximum glass size approx. 1 m²
- Unit thicknesses from 20 to 34 mm
- Maximum vent weight 60 kg
- Maximum vent sizes 800 x 1600 mm
- System fittings with screw-on and weld-on hinges, projected top-hung friction stays, bottom and top-hung stays, handles
- Bonding technology tested in accordance with EN 14024



INSPIRATO

Arte Profiles

Inspirato Arte profile features impressive face widths of 1" to 1- 9/16" with a basic depth of just 2- 3/8".

A. H-Profile

The H-Profile is used on operating systems such as swinging windows and doors.

B. Z-Profile

C. Wide T-Profile

D. T-Profile

E. L-Profile

Performance Characteristics



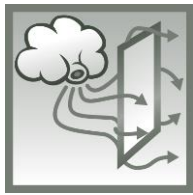
WATER TIGHTNESS

Inward opening: Class 9A – 600 Pa
 Outward Opening: Class 9A – 600 Pa



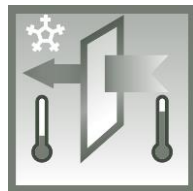
RESISTANCE TO WIND LOAD

Inward Opening: Class C4 – 1600 Pa
 Outward Opening: Class C3 – 1200 Pa



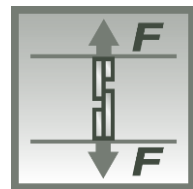
AIR PERMEABILITY

Inward Opening: Class 4 – 600 Pa
 Outward Opening: Class 4 – 600 Pa



HEAT TRANSFER COEFFICIENT

Inward Opening: from $U_1 > 1,9 \text{ W/m}^2\text{K}$
 Outward Opening: from $U_1 > 1,9 \text{ W/m}^2\text{K}$



METAL PROFILES WITH THERMAL BARRIER

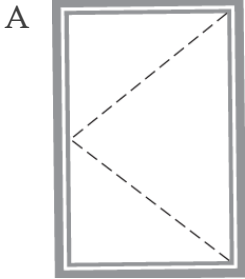
Inward Opening: CW/TC2
 Outward Opening: CW/TC2



SOUND INSULATION

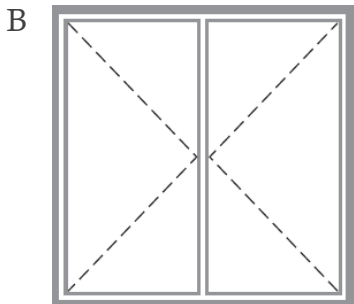
Inward Opening: $R_w(C, C_{tr}) 42 (-1; -5) \text{ dB}$
 Outward Opening: $R_w(C, C_{tr}) 42 (-1; -5) \text{ dB}$

Technical Data



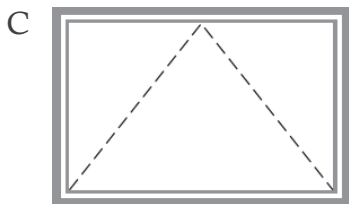
A. SINGLE-VENT SIDE HUNG WINDOW

- Inward or Outward Opening
- Maximum Dimensions: 800 x 1600 mm (WxH)
- Minimum Dimensions: 300 x 300 mm (WxH)
- Maximum vent weight: 60 kg



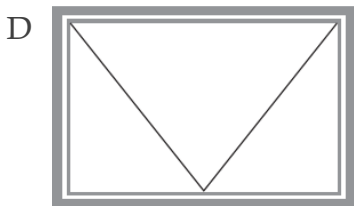
B. DOUBLE-VENT SIDE-HUNG WINDOW

- Inward or Outward Opening
- Maximum Dimensions: 1600 x 1600 mm (WxH)
- Minimum Dimensions: 800 x 400 mm (WxH)
- Maximum vent weight: 60 kg



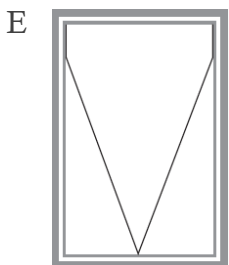
C. BOTTOM-HUNG WINDOW

- Inward or Outward Opening
- Maximum Dimensions: 1600 x 800 mm (WxH)
- Minimum Dimensions: 300 x 300 mm (WxH)
- Maximum vent weight: 60 kg



D. BOTTOM-HUNG WINDOW

- Inward or Outward Opening
- Maximum Dimensions: 1600 x 800 mm (WxH)
- Minimum Dimensions: 300 x 300 mm (WxH)
- Maximum vent weight: 60 kg



E. BOTTOM-HUNG WINDOW

- Inward or Outward Opening
- Maximum Dimensions: 1600 x 800 mm (WxH)
- Minimum Dimensions: 300 x 300 mm (WxH)
- Maximum vent weight: 60 kg

INSPIRATO Summary of Types

A. SINGLE-VENT SIDE-HUNG WINDOW

- Inward or Outward Opening

B. PROJECTED TOP-HUNG WINDOW

- Inward or Outward Opening

C. TOP-HUNG WINDOW

- Outward Opening

D. DOUBLE-VENT SIDE-HUNG WINDOW

- Outward Opening

E. BOTTOM-HUNG WINDOW

- Inward Opening

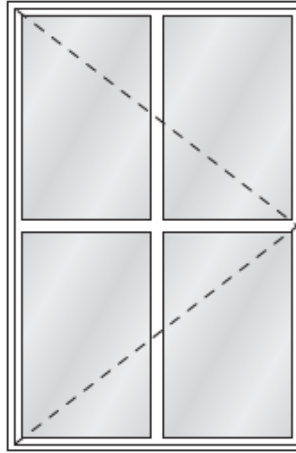
F. PROJECTED TOP-HUNG WINDOW

- Outward Opening

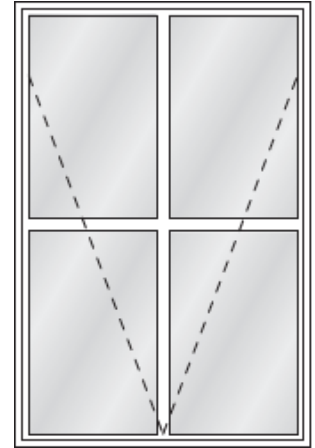
G. DOUBLE-VENT SIDE-HUNG WINDOW

- Inward Opening

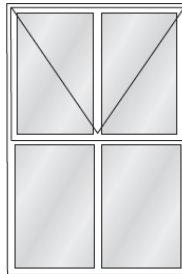
A



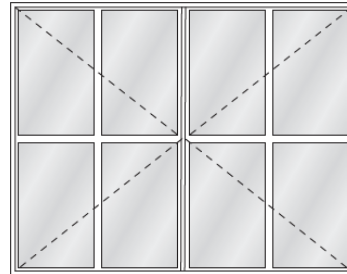
B



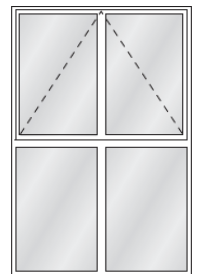
C



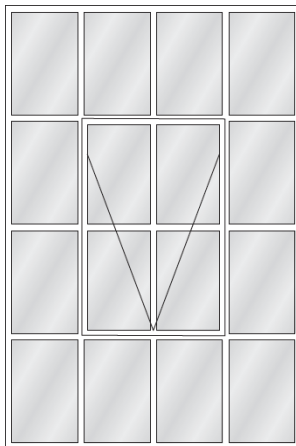
D



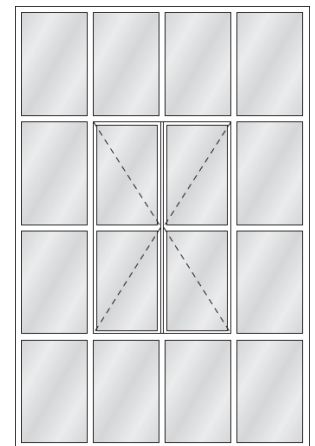
E



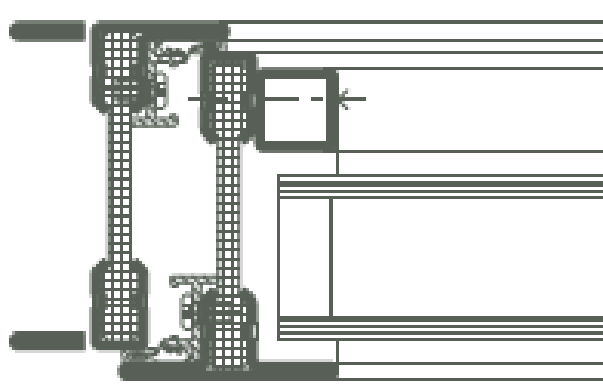
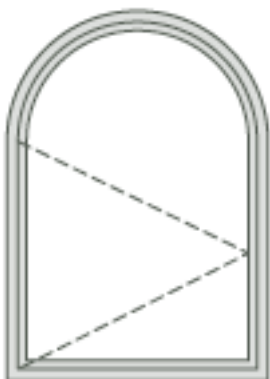
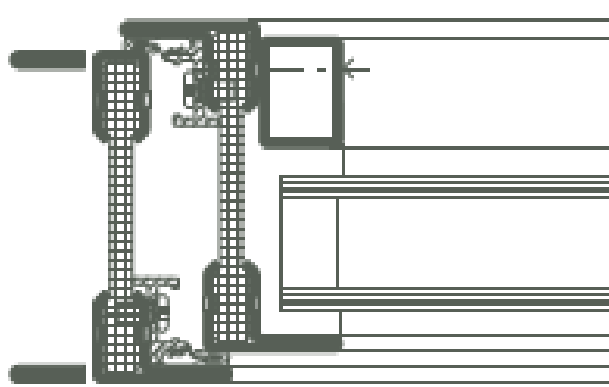
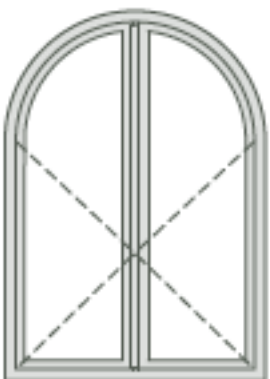
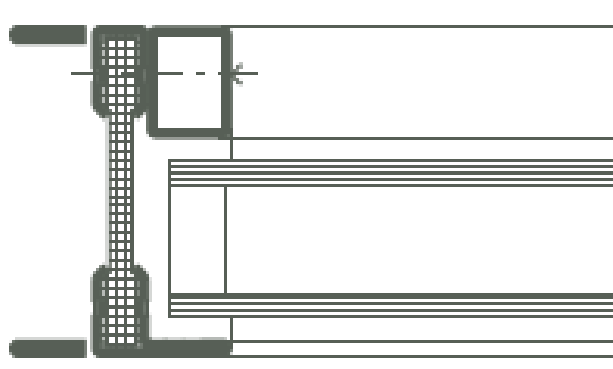
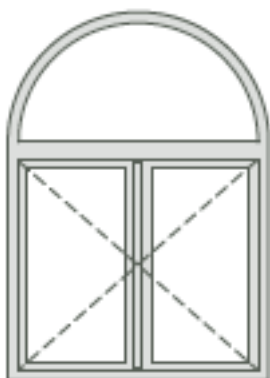
F



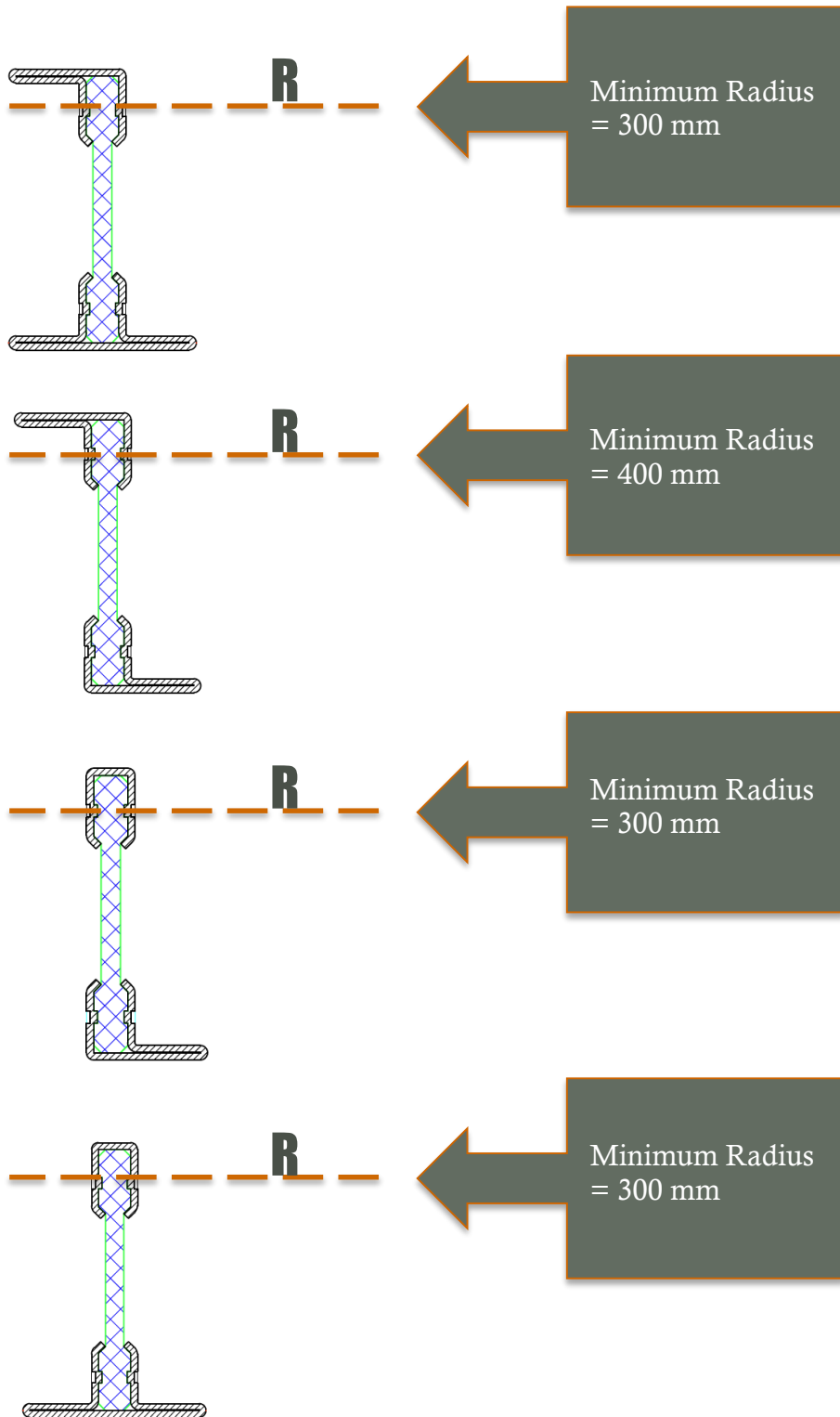
G



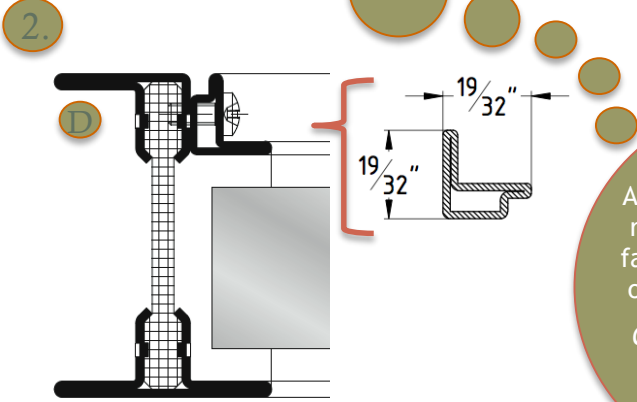
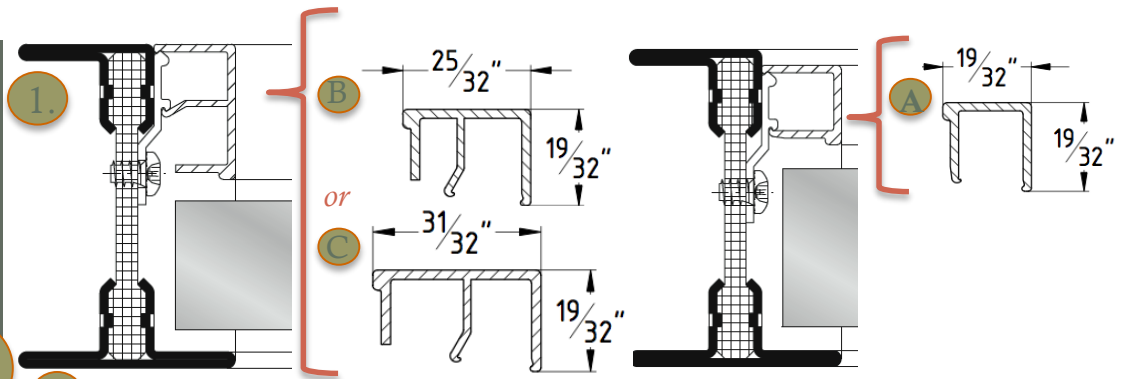
INSPIRATO
Arches



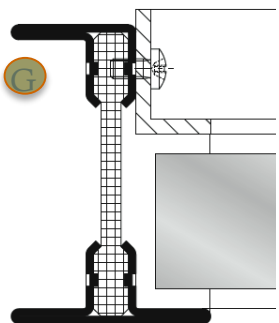
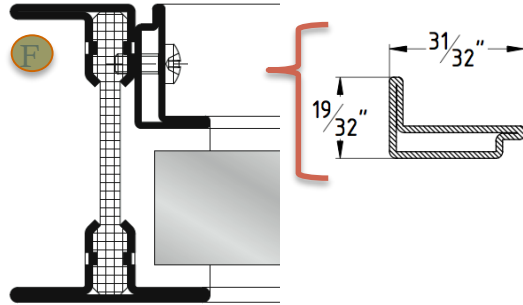
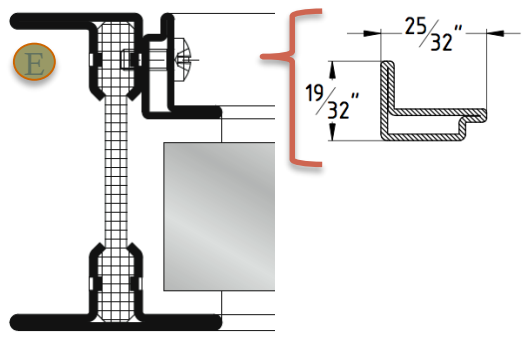
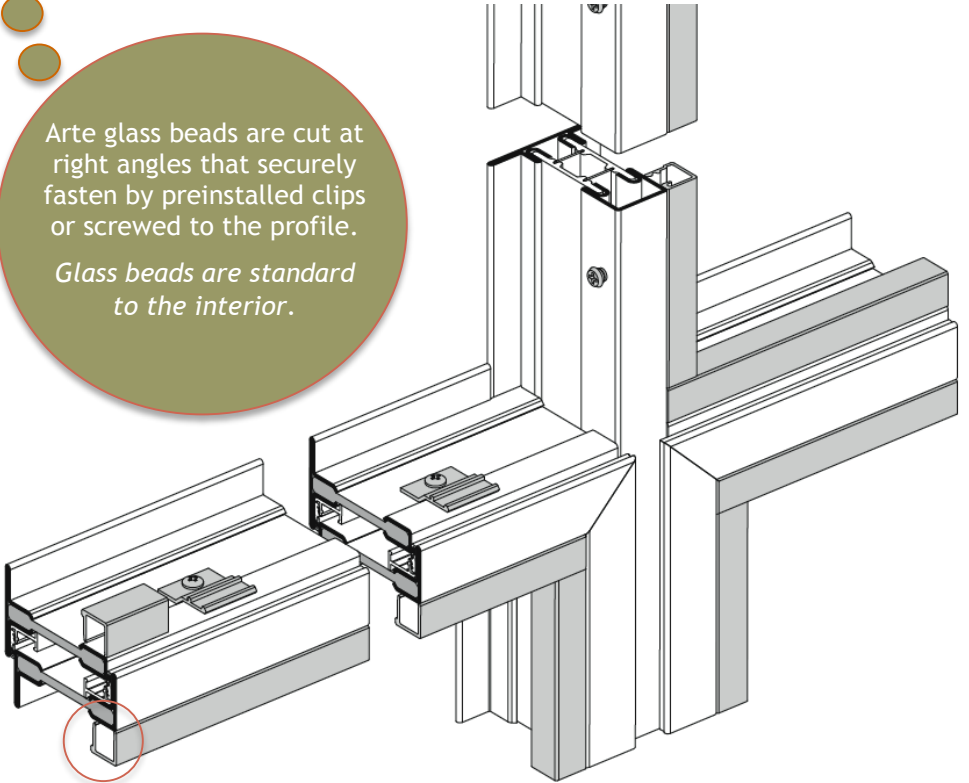
INSPIRATO Radius Limitations



Glazing Bead Options



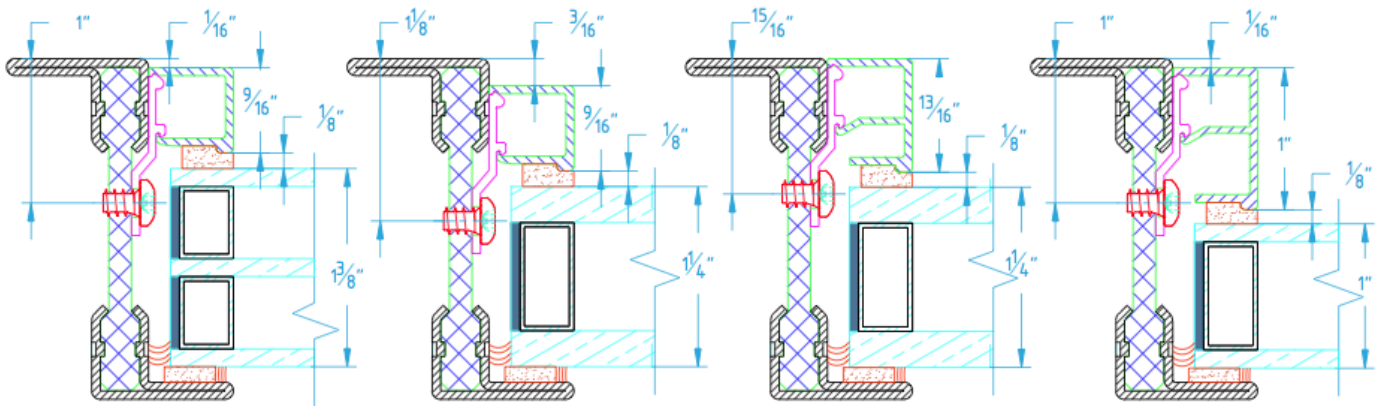
Arte glass beads are cut at right angles that securely fasten by preinstalled clips or screwed to the profile.
 Glass beads are standard to the interior.



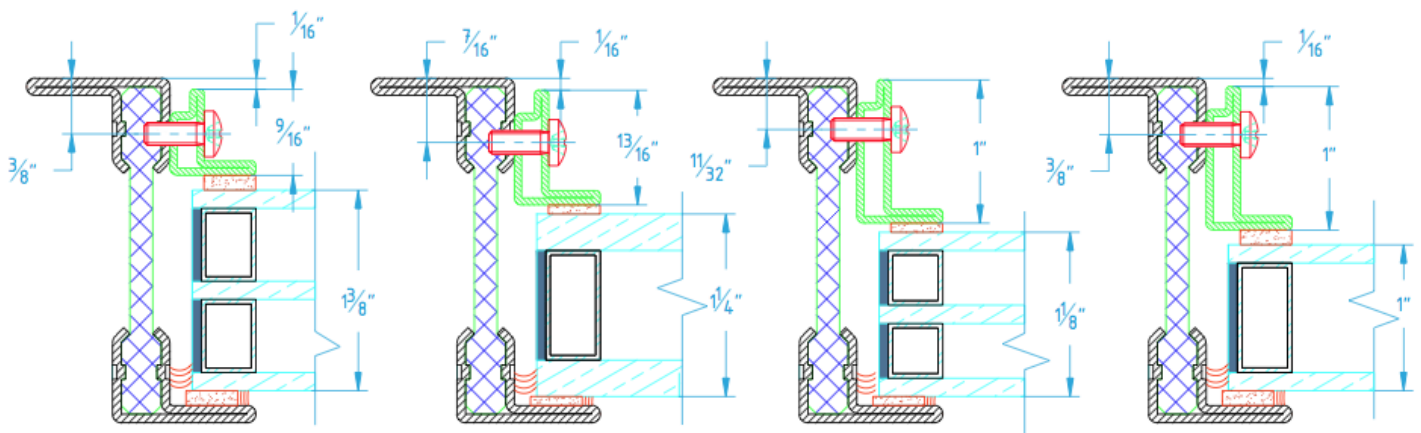
1. Clip on aluminum glazing bead with a three options for face widths
 - A. 19/32" face width and 19/32" depth
 - This is the standard glass bead used on La Loma steel windows and doors
 - B. 25/32" face width and 19/32" depth
 - C. 31/32" face width and 19/32" depth
2. Exposed screw angle contour steel glazing beads
 - D. Face width 19/32" and 19/32" depth
 - E. Face width 25/32" and 19/32" depth
 - F. Face width 31/32" and 31/32" depth
 - G. L shaped glazing bead can be customized for the desired contour and glass thickness

INSPIRATO Glazing Bead Options

Glass Options with Aluminum Glass Bead

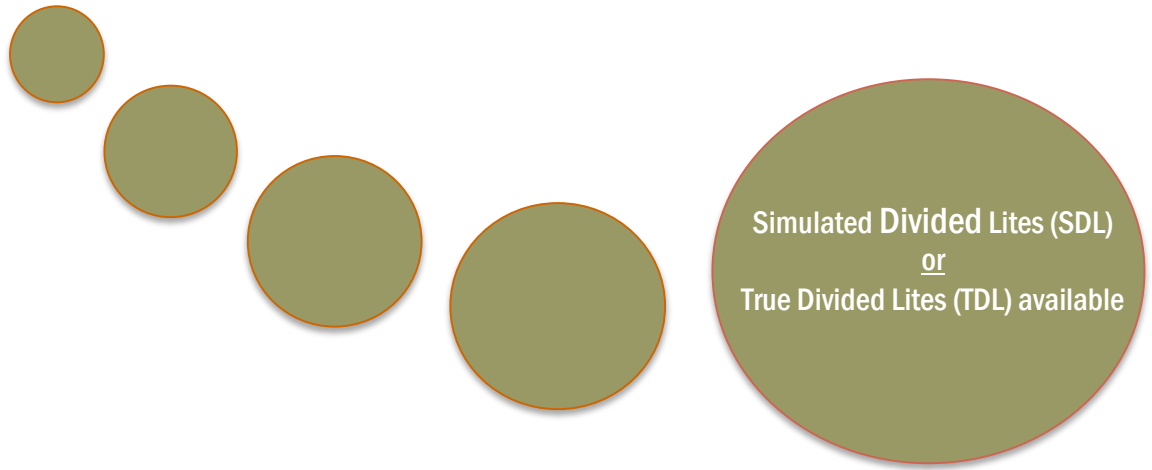


Glass Options with Steel Glass Bead



INSPIRATO

Glass Options



Pane Options

Single Glazed (SG) - 1" thick glass

Double Glazed (DG) - 1" total

Makeup:

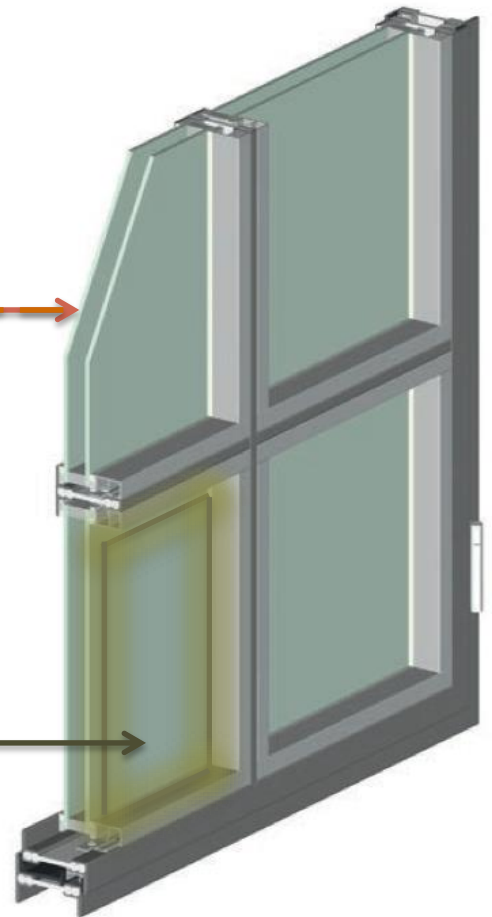
1/8" glass X 3/4" super spacer X 1/8" glass

1/4" glass X 1/2" super spacer X 1/4" glass

Glass Type Options *(other options available)*

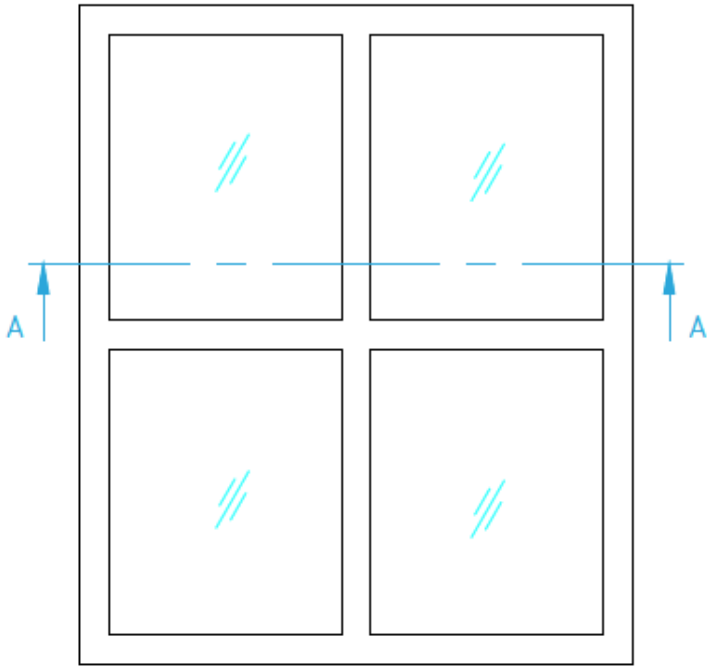
Tempered
Annealed
Laminated

NOTE: Doors require tempered glass. Other conditions may apply.

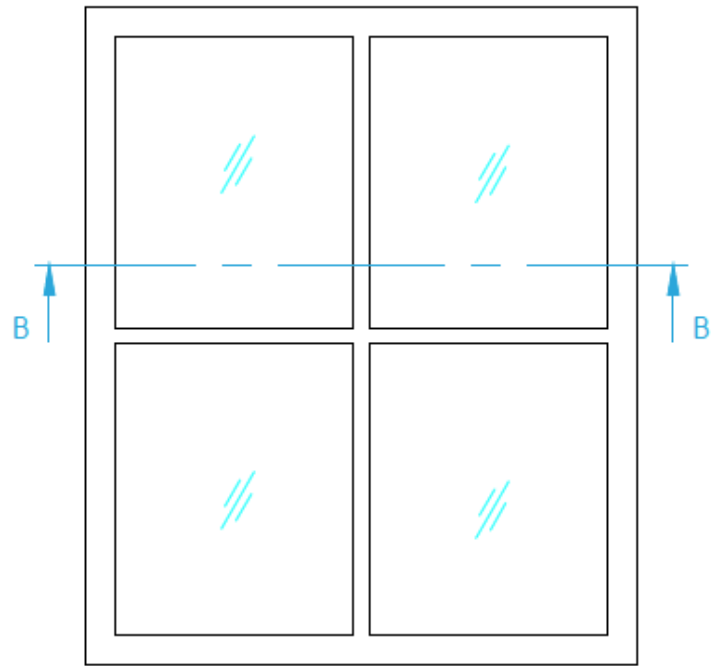


INSPIRATO
Window Options

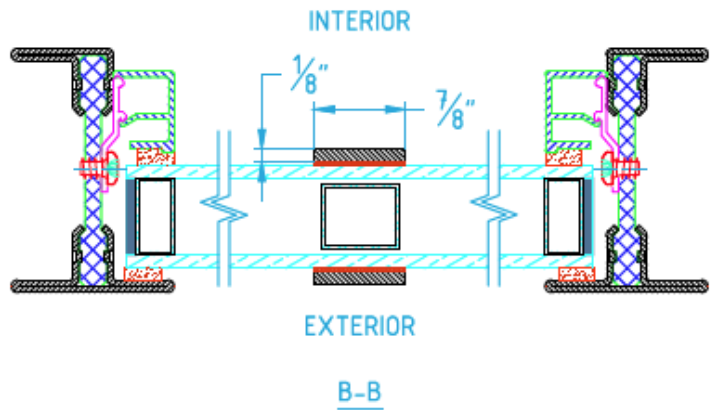
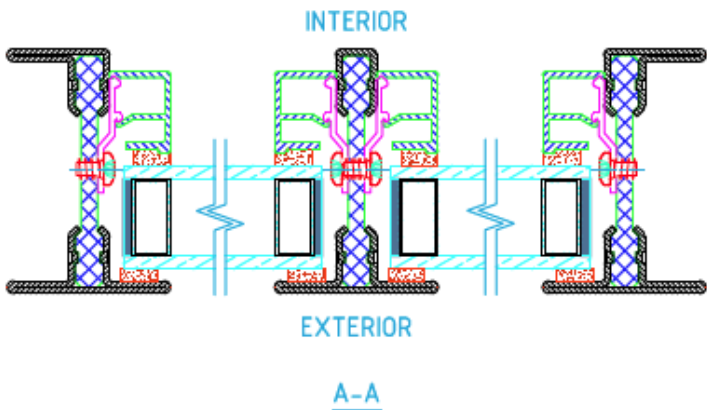
SDL & TDL Options



FIXED WITH TDL BARS

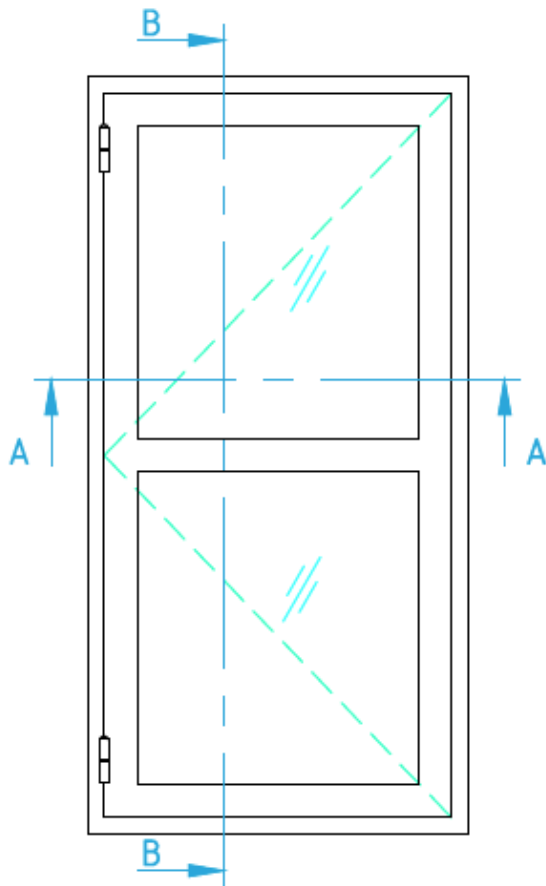


FIXED WITH SDL BARS

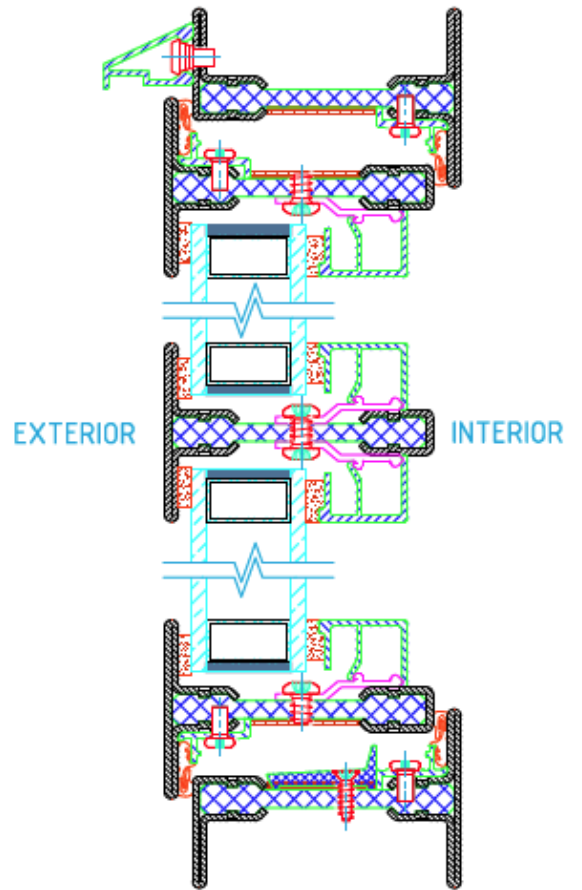


INSPIRATO
Window Options

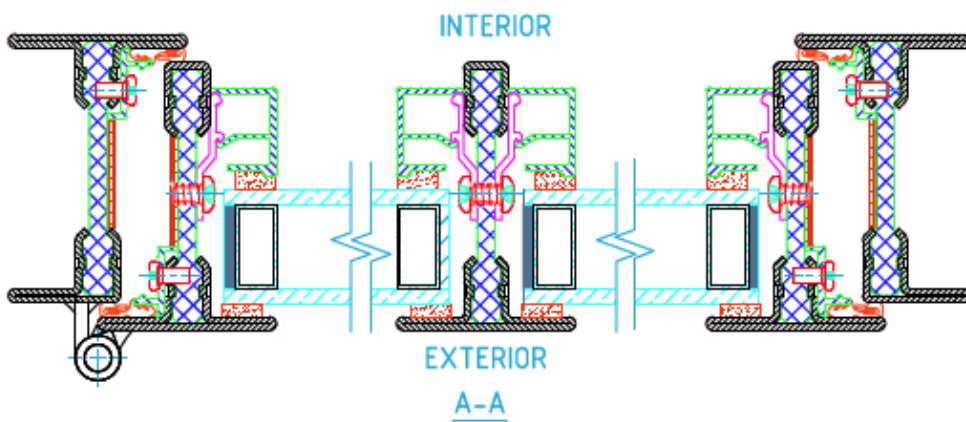
Left-Hand Outswing Casement



OUTSWING CASEMENT



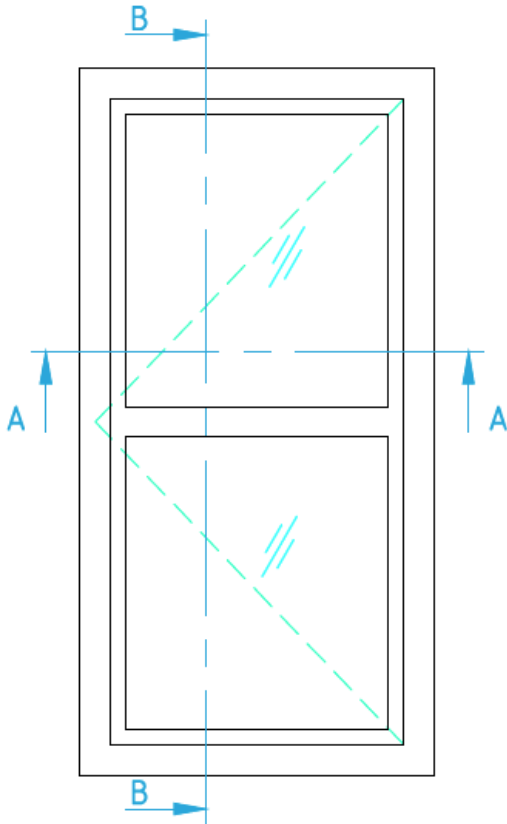
B-B



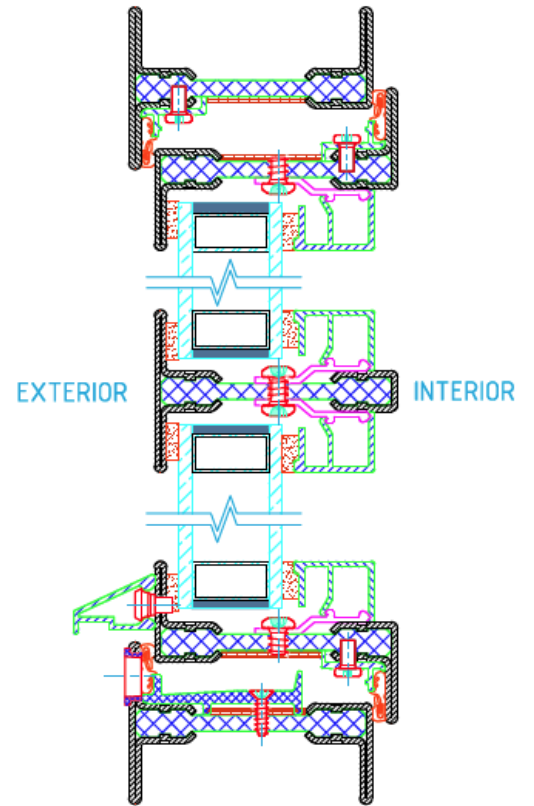
A-A

INSPIRATO Window Options

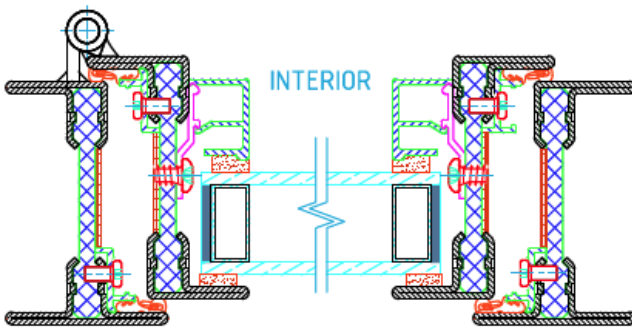
Left-Hand Inswing Casement



INSWING CASEMENT



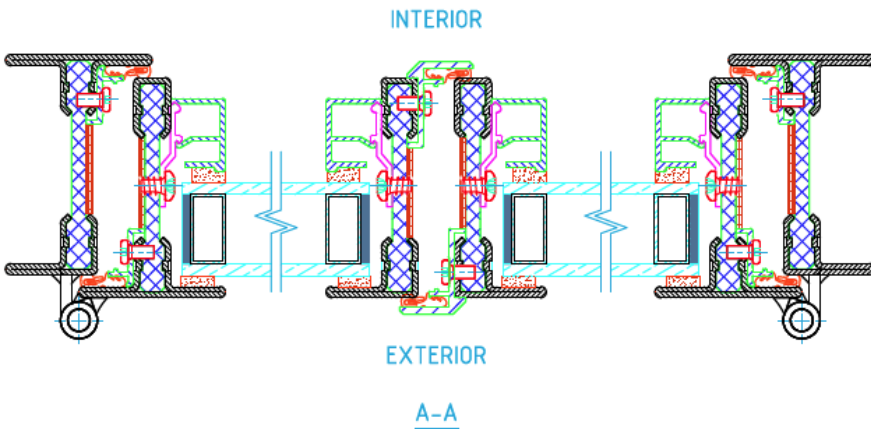
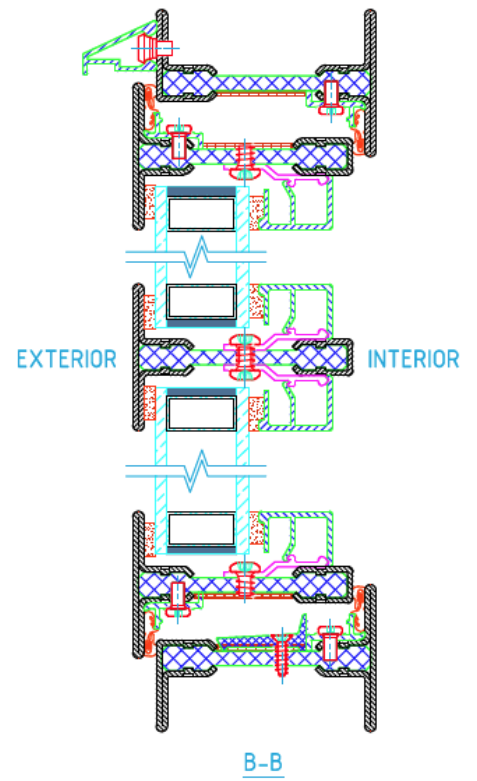
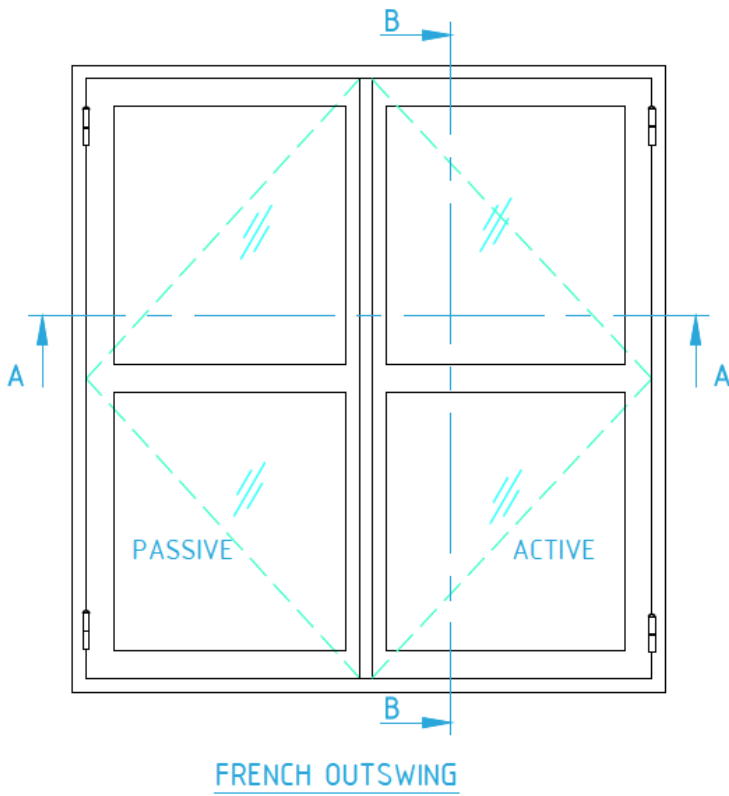
B-B



EXTERIOR
A-A

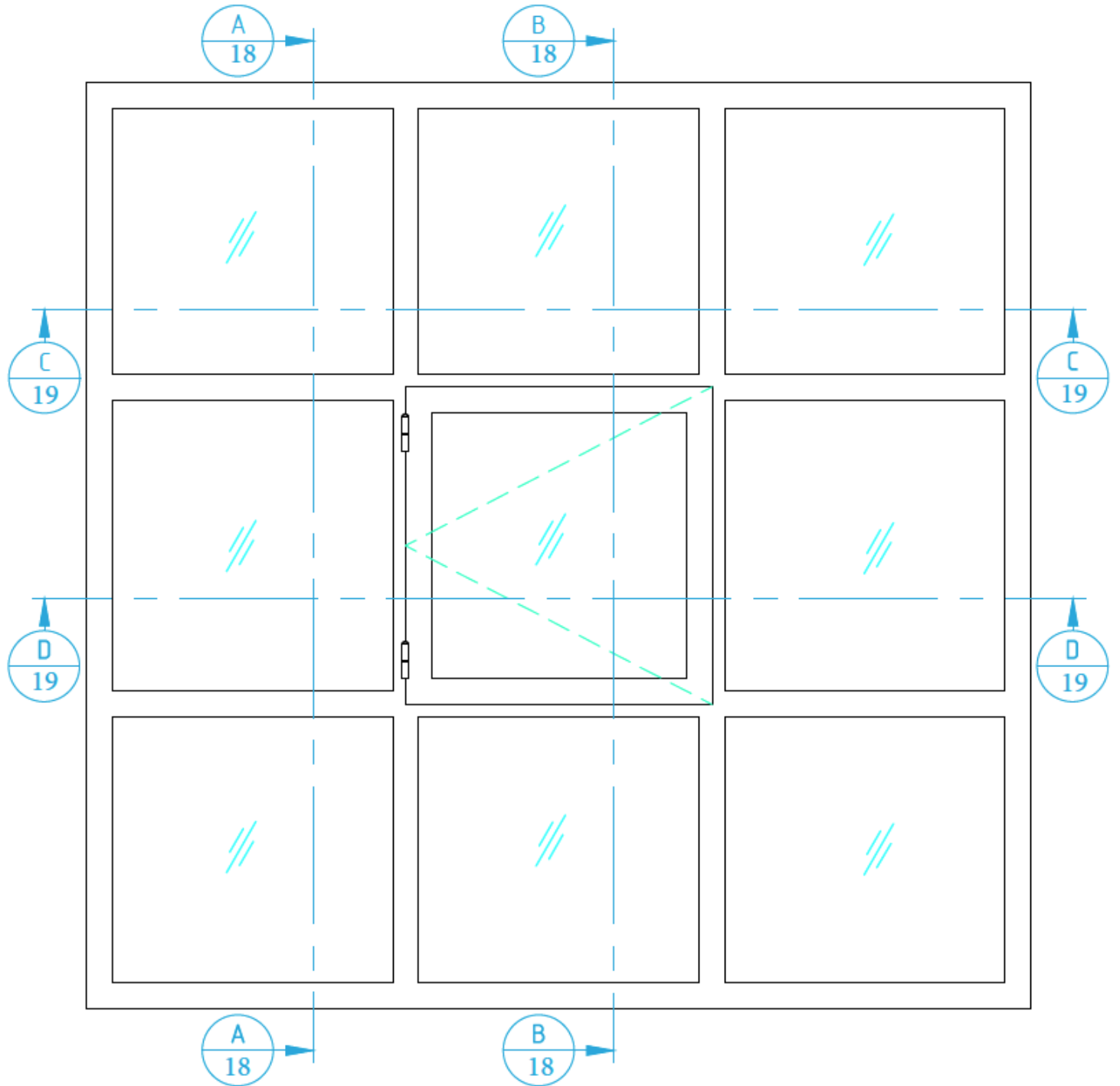
INSPIRATO Window Options

French Outswing Casement



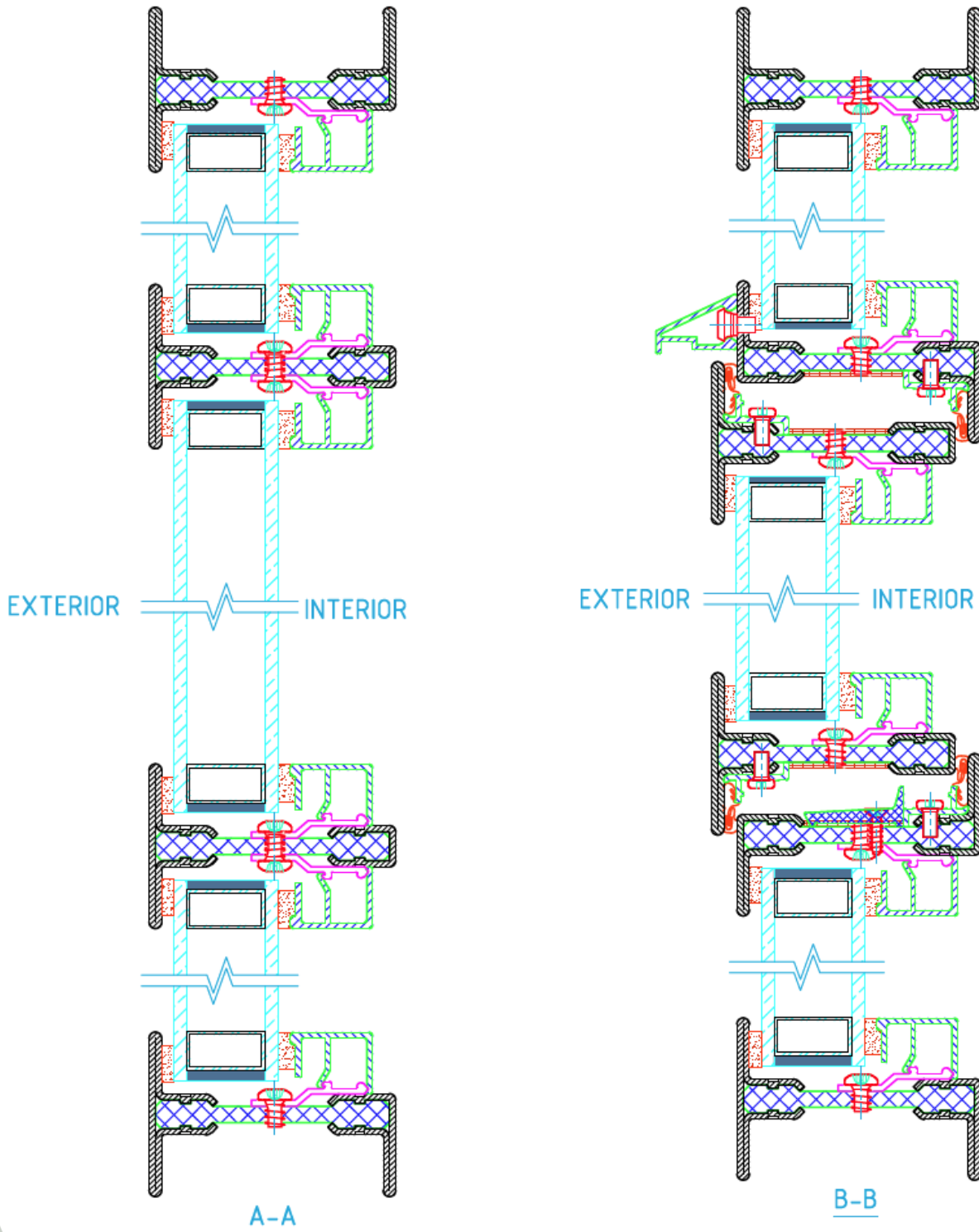
INSPIRATO
Window Options

Outswing Surround Casement



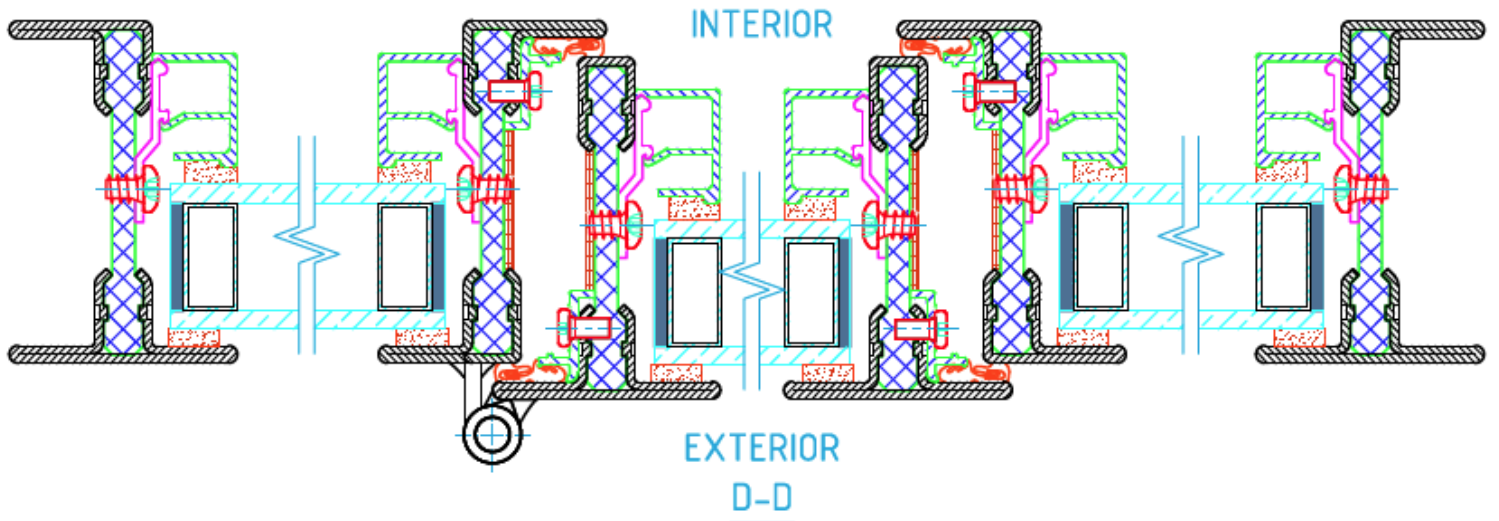
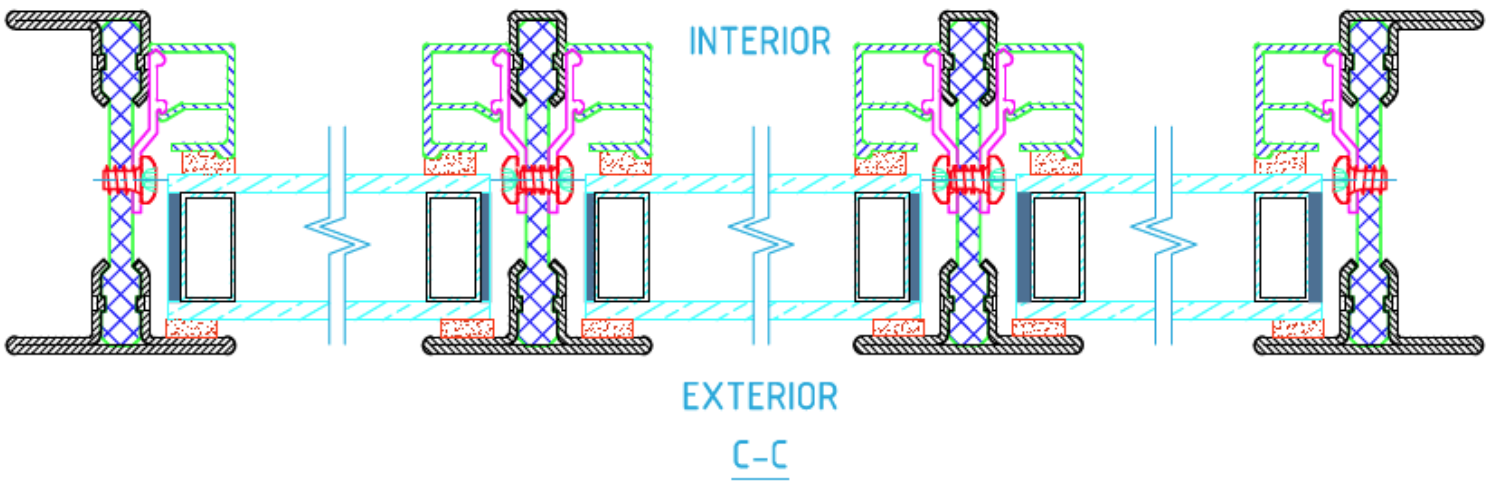
INSPIRATO
Window Options

Outswing Surround Casement



INSPIRATO
Window Options

Outswing Surround Casement



INSPIRATO Window Hardware Options

A



A. Inspirato Window Handle with Locking Roller

Features:

- Nickel-plated brass
- For outward opening windows
- Includes Strike Plate
- Includes 4 stainless steel countersunk screws
 - Height: 120 mm
 - Depth: 53 mm

NOTE: Two additional handles are required for a vent height/width of 1200 mm and above (*Not included in total*).

item # 557.080- left
item # 557.081- right
Page 22 in Arte catalog

B



B. Inspirato Window Handle

Features:

- Nickel-plated brass
- For inward opening windows
- Includes fixing and fastening materials
 - Height: 125 mm
 - Depth: 54 mm

item # 557.082
Page 22 in Arte catalog

C



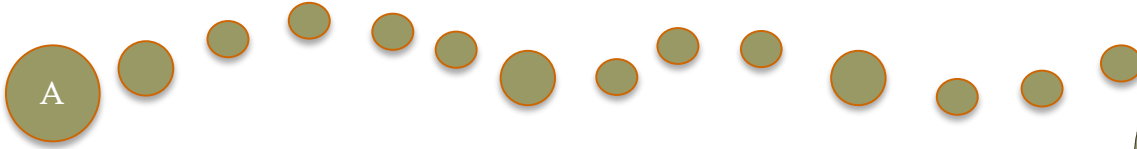
C. Inspirato Window Handle Oval

Features:

- Nickel-plated brass
- For inward opening windows
- Includes fixing and fastening materials
 - Height: 125 mm
 - Depth: 56 mm

item # 557.098
Page 22 in Arte catalog

INSPIRATO Window Hinge Options



A. Screw-On Hinge

Features:

- Stainless Steel 1.4301
- Length 89 mm
- Includes brass intermediate ring

NOTE: An additional hinge is required for a vent height/width of 1200 mm and above (*Not included in total*).

item # 555.484
Page 27 in Arte catalog



B. Welded-On Hinge

Features:

- Raw Steel
- Length 57 mm
- Loose pin made from stainless steel 1.4301
- Includes brass intermediate ring

NOTE: An additional hinge is required for a vent height/width of 1200 mm and above (*Not included in total*).

item # 555.483
Page 27 in Arte catalog

INSPIRATO Window Fitting Options

A



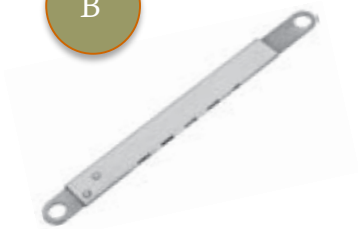
A. Stay for Bottom-Hung Vents

Features:

- Galvanized Steel
- For inward-opening bottom-hung vents, concealed
 - Maximum Weight: 60 kg
 - Width: 300 – 1600 mm
 - Height: 300 – 1600 mm

item # 557.095
Page 28 in Arte catalog

B



B. Stay for Top-Hung Vents

Features:

- Stainless Steel
- For outward-opening top-hung vents, concealed
- Automatic engagement in 5 opening positions
 - Maximum Weight: 60 kg
 - Width: 300 – 1600 mm
 - Height: 350 – 1600 mm

item # 557.095
Page 28 in Arte catalog

INSPIRATO Window Fitting Options

C



C. Chain Drive

Features:

- For tilt, top-hung and side hung windows
- Silver-grey powder coated
- Lift distance 350 mm
- Suitable for smoke and heat exhaust ventilation systems (SHEVS)

- Maximum Weight: 60 kg
- Width: 300 – 1600 mm
- Height: 300 – 1600 mm

item # 550.697
Page 29 in Arte catalog

D



D. Opening Limiter

Features:

- Stainless Steel

item # 557.141
Page 30 in Arte catalog

E



E. Peg Stay

Features:

- Hot-forged brass locking bar
- Satin Chrome

item # 557.144- Length 150 mm
item # 557.145- Length 200 mm
item # 557.146- Length 250 mm
item # 557.147- Length 300 mm
Page 31 in Arte catalog

INSPIRATO Window Fitting Options

F

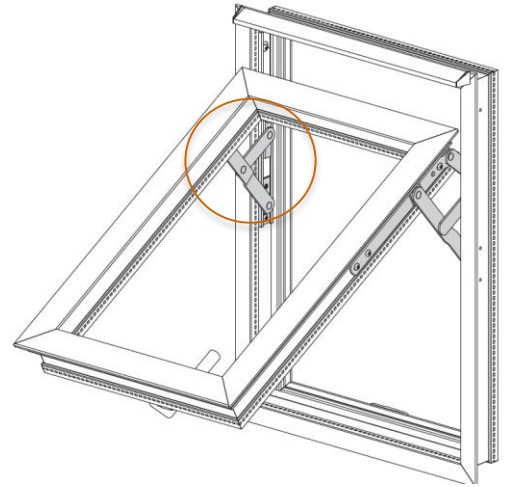


F. Friction Stay

Small Friction Stay

Features:

- Stainless Steel 1.4301
- For inward or outward-opening projected top-hung windows
- Adjustable opening angles 50° and 84°
 - Maximum Weight: 40 kg
 - Length: 264 mm
 - Width: 300 – 1000 mm
 - Height: 300 – 650 mm



Medium Friction Stay

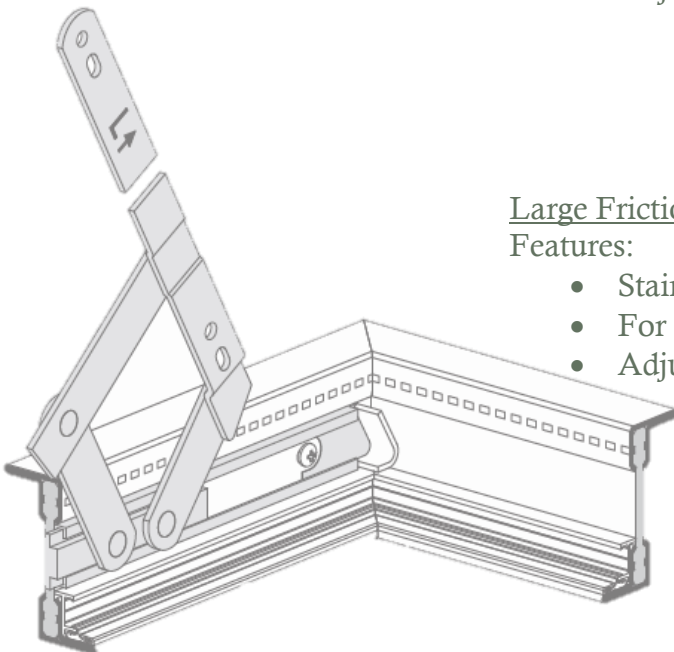
Features:

- Stainless Steel 1.4301
- For inward or outward-opening projected top-hung windows
- Adjustable opening angles 30°, 50° and 90°
 - Maximum Weight: 50 kg
 - Length: 415 mm
 - Width: 300 – 1000 mm
 - Height: 450 – 800 mm
 -

Large Friction Stay

Features:

- Stainless Steel 1.4301
- For inward or outward-opening projected top-hung windows
- Adjustable opening angles 20°, 45° and 90°
 - Maximum Weight: 50 kg
 - Length: 567 mm
 - Width: 300 – 1000 mm
 - Height: 600 – 1400 mm

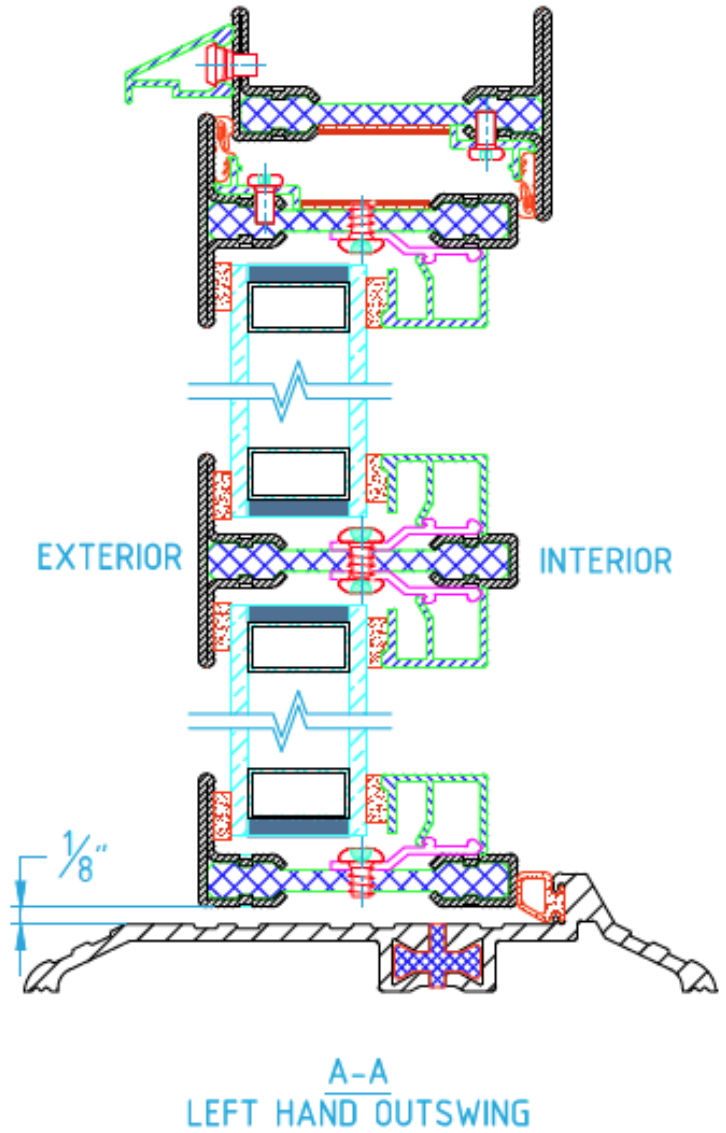
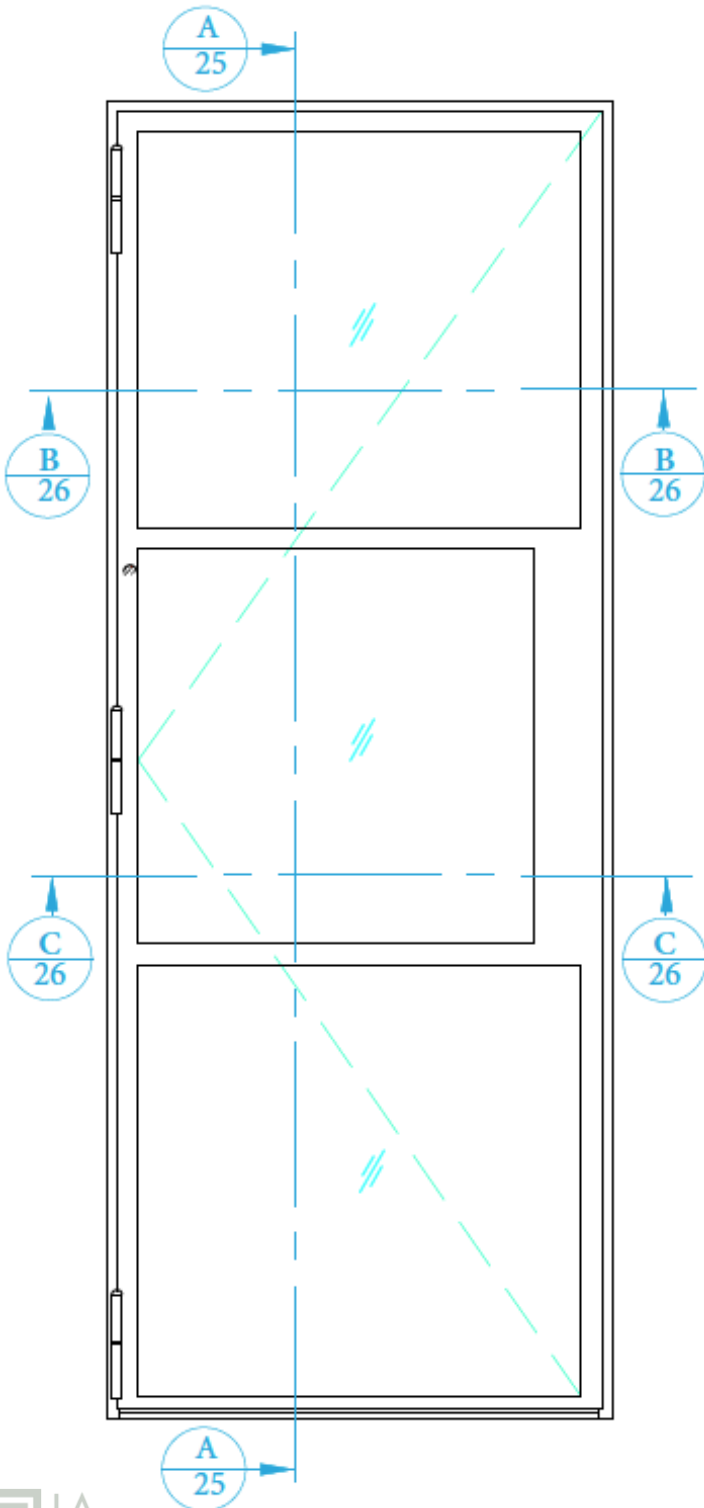


item # 557.083- small
item # 557.084- medium
item # 557.085- large
Page 32 in Arte catalog

INSPIRATO

Door Options

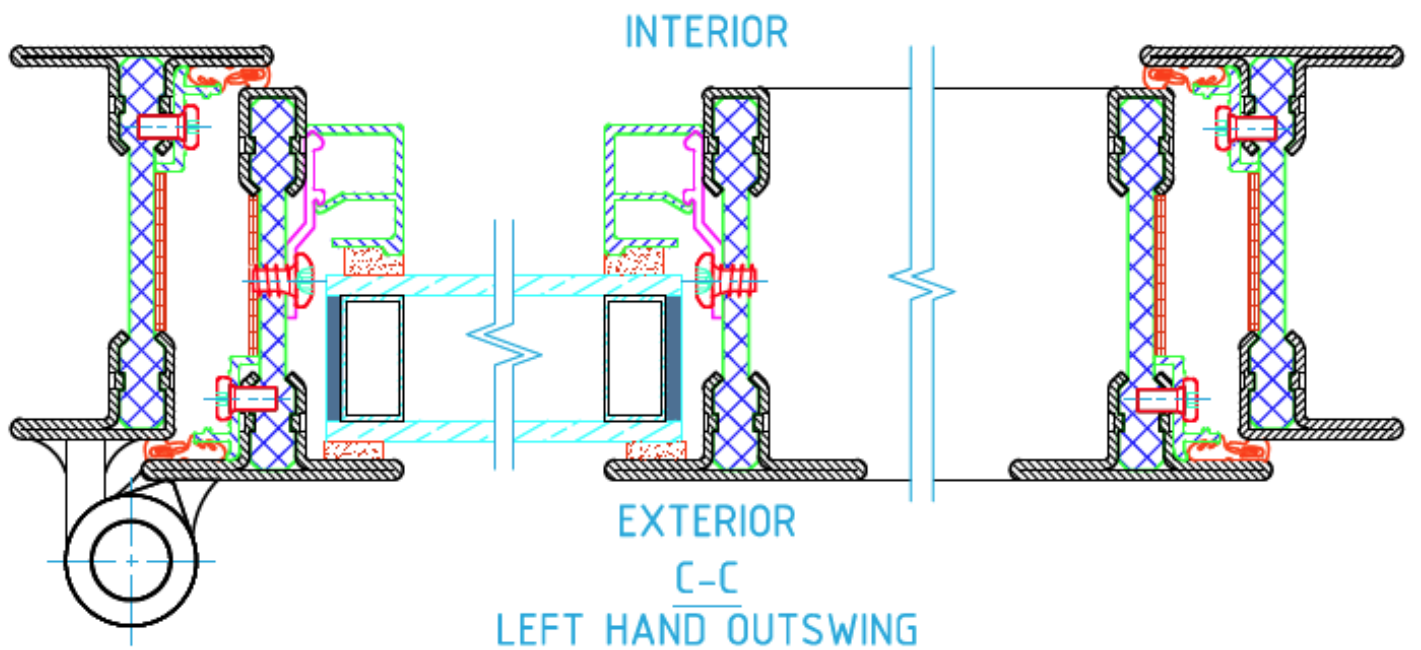
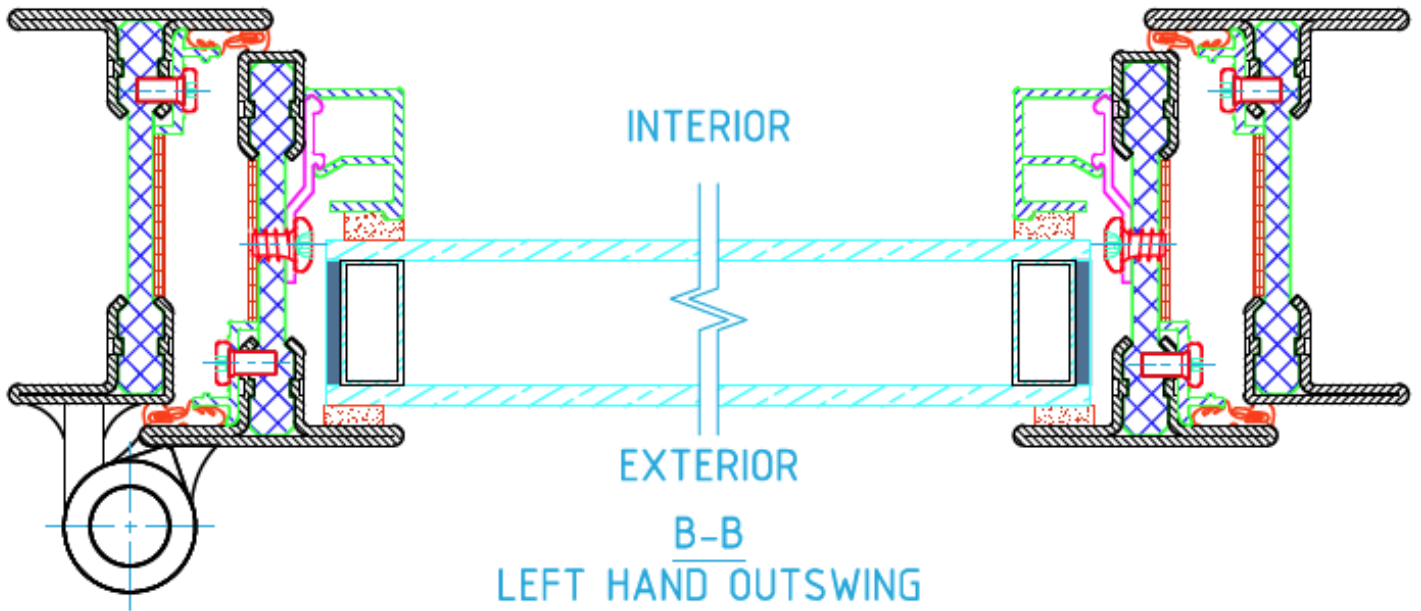
Left-Hand Outswing Door



INSPIRATO

Door Options

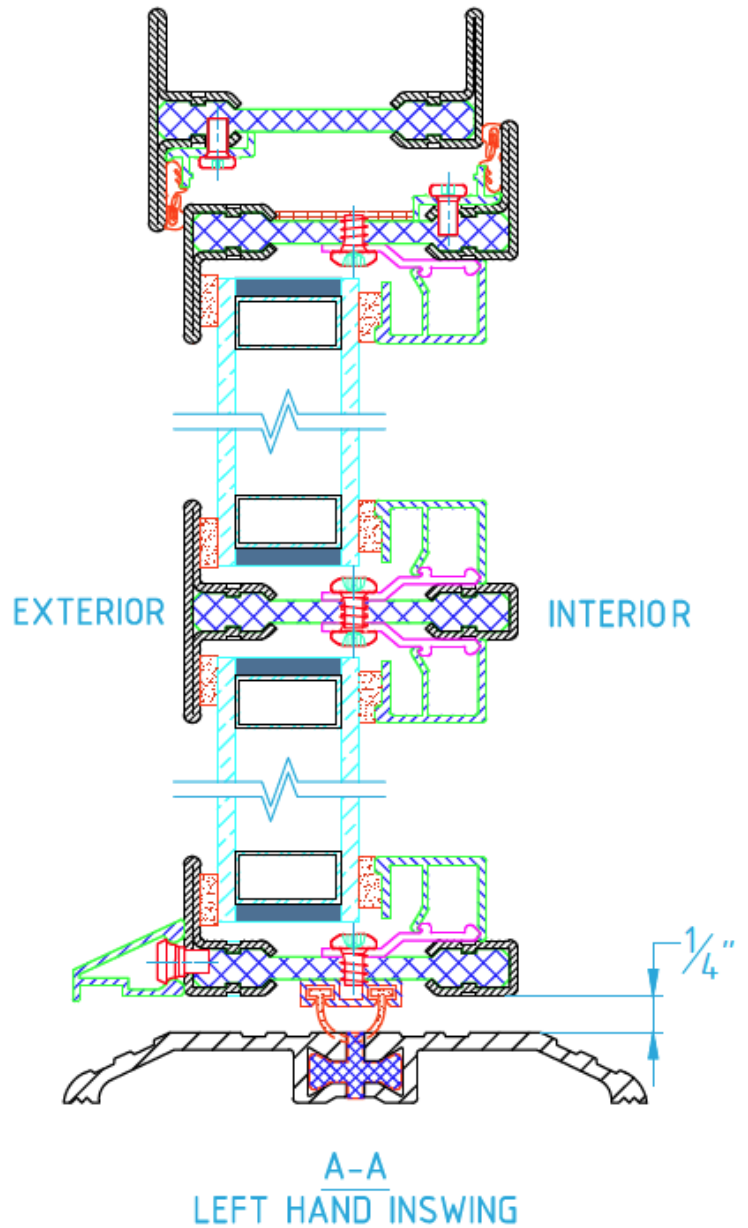
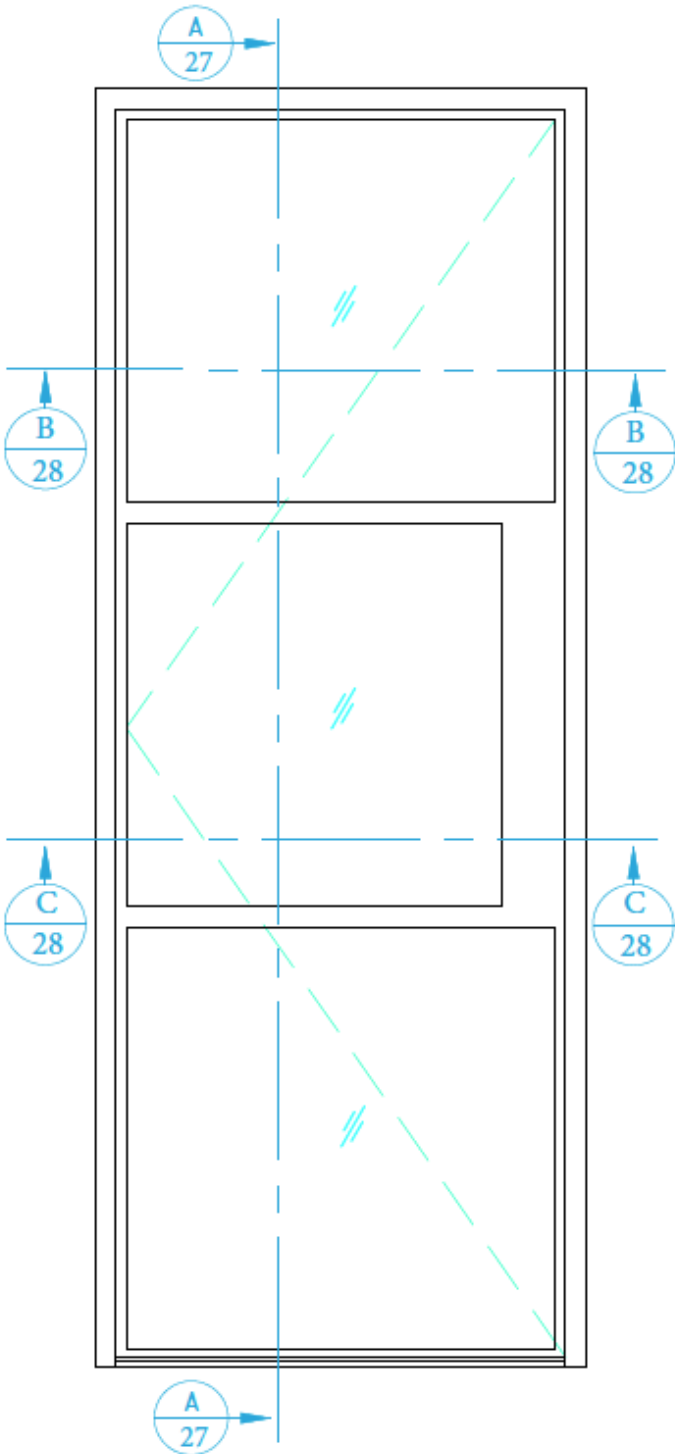
Left-Hand Outswing Door



INSPIRATO

Door Options

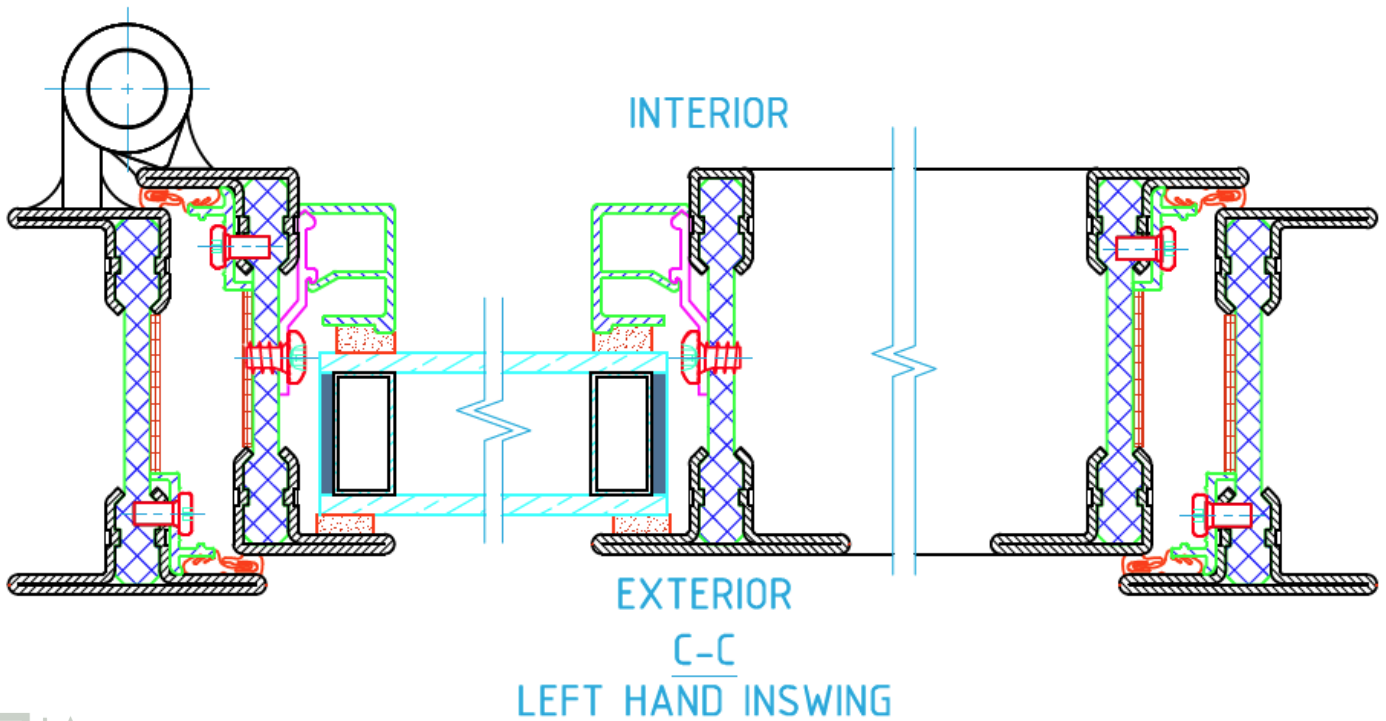
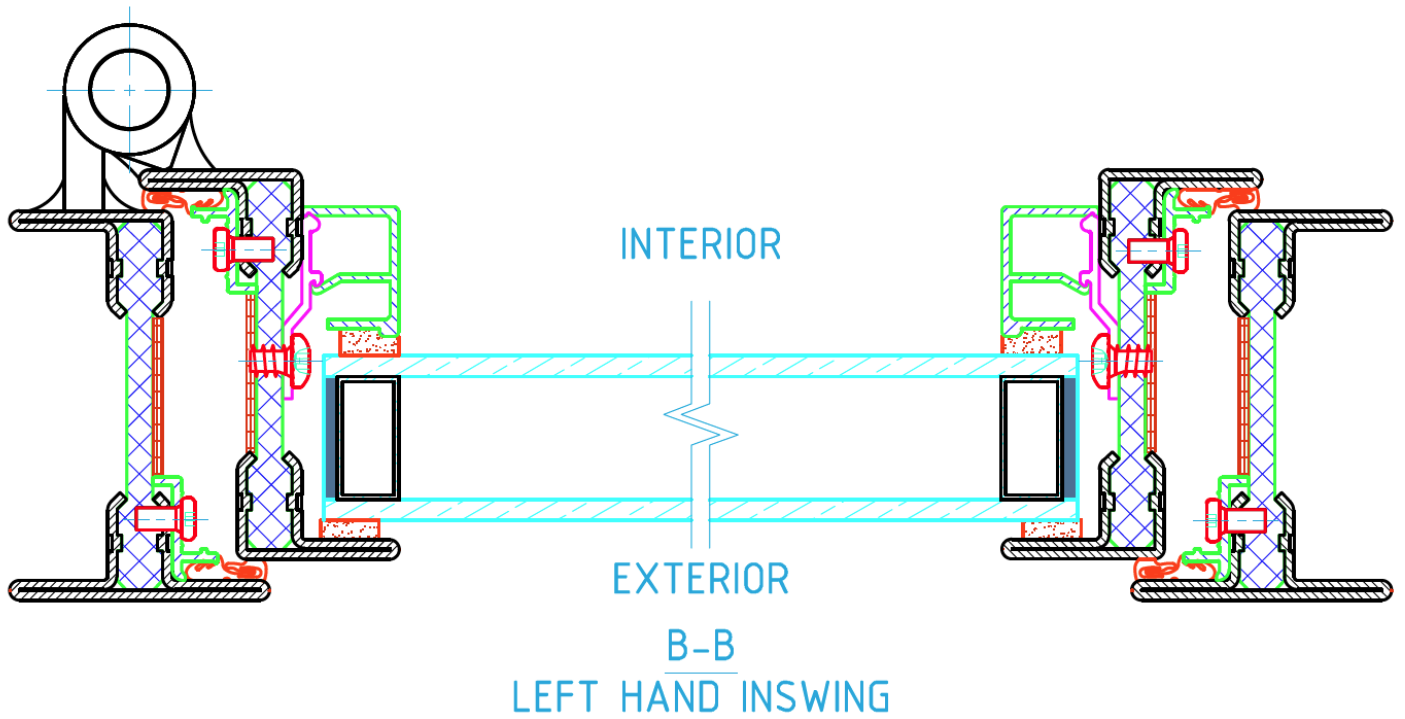
Left-Hand Inswing Door



INSPIRATO

Door Options

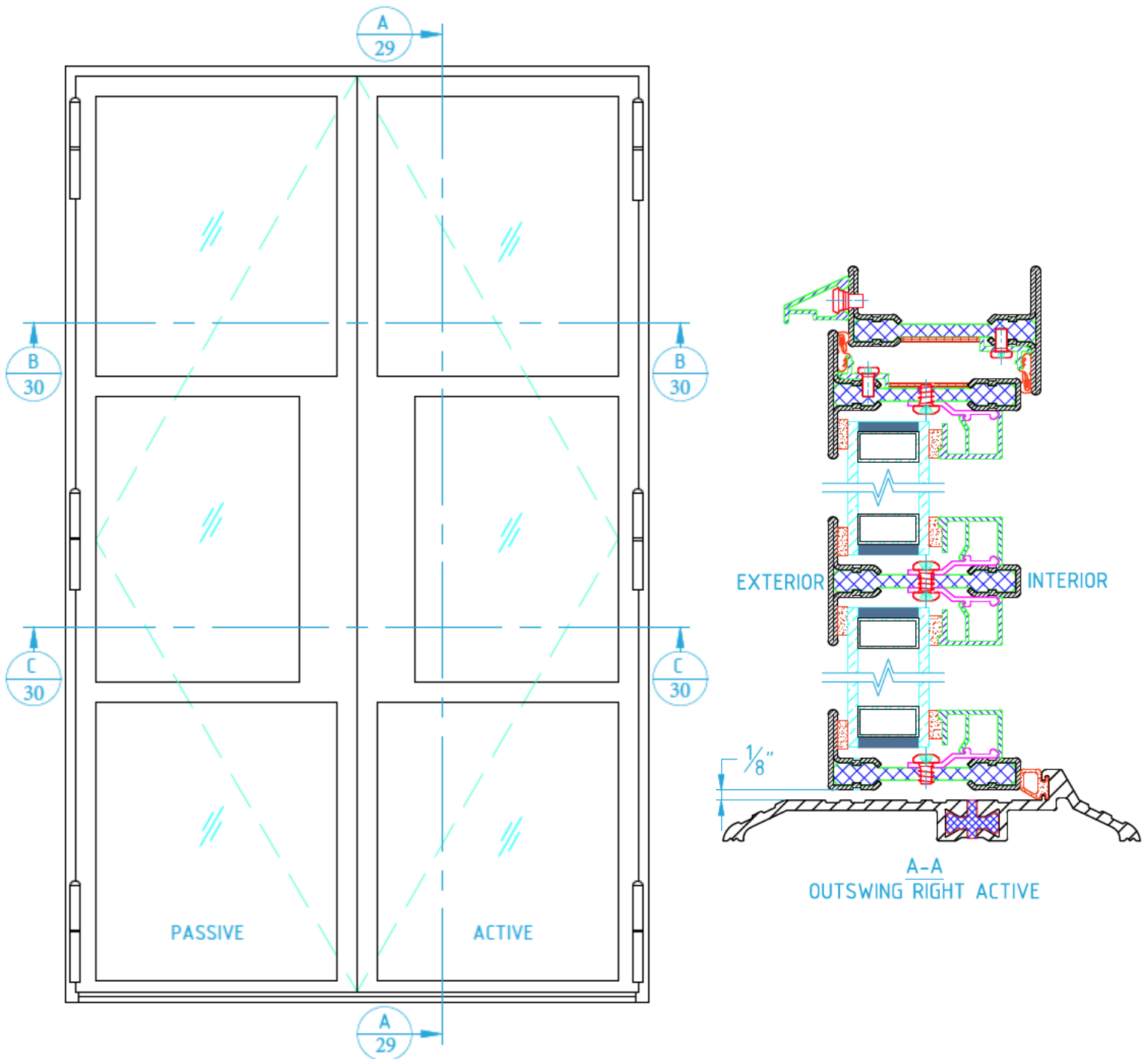
Left-Hand Inswing Door



INSPIRATO

Door Options

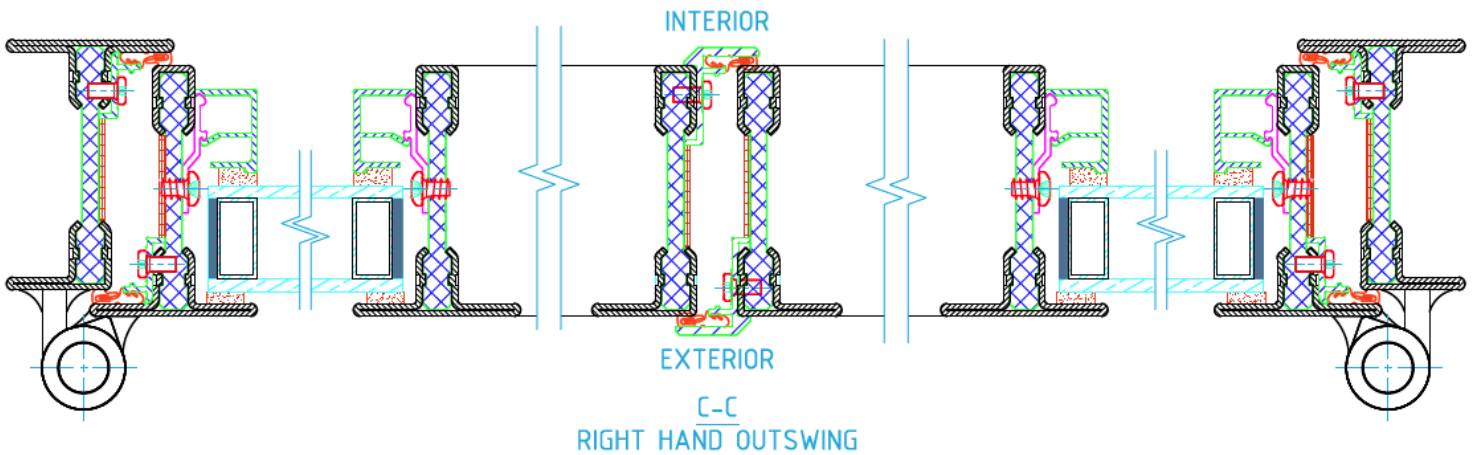
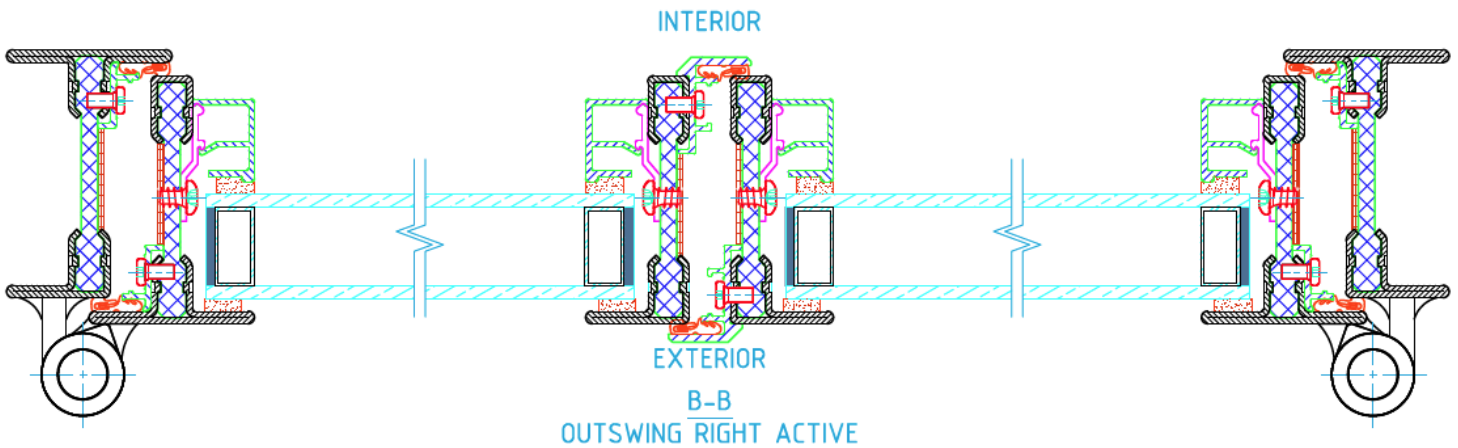
Outswing French Door



INSPIRATO

Door Options

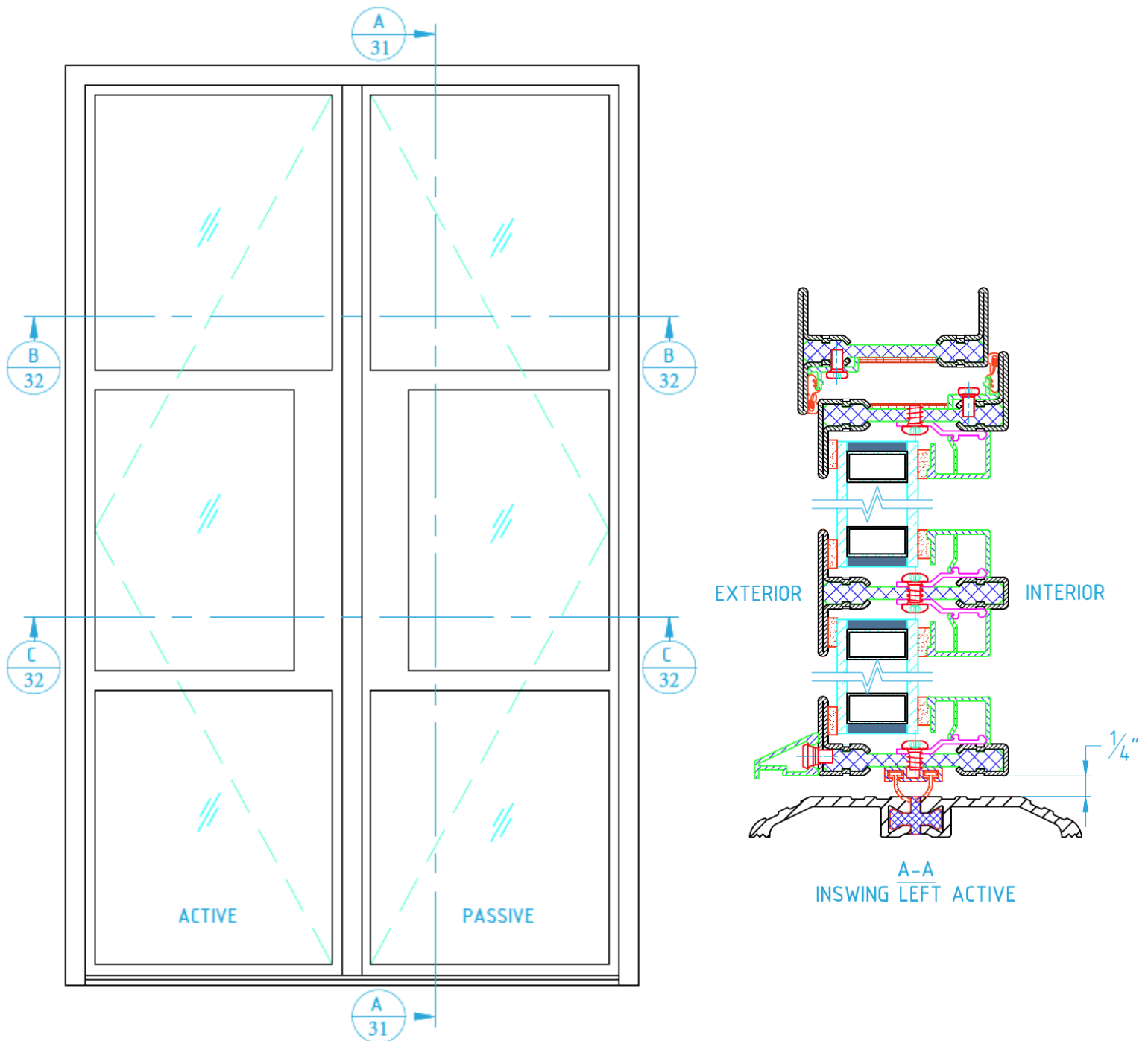
Outswing French Door



INSPIRATO

Door Options

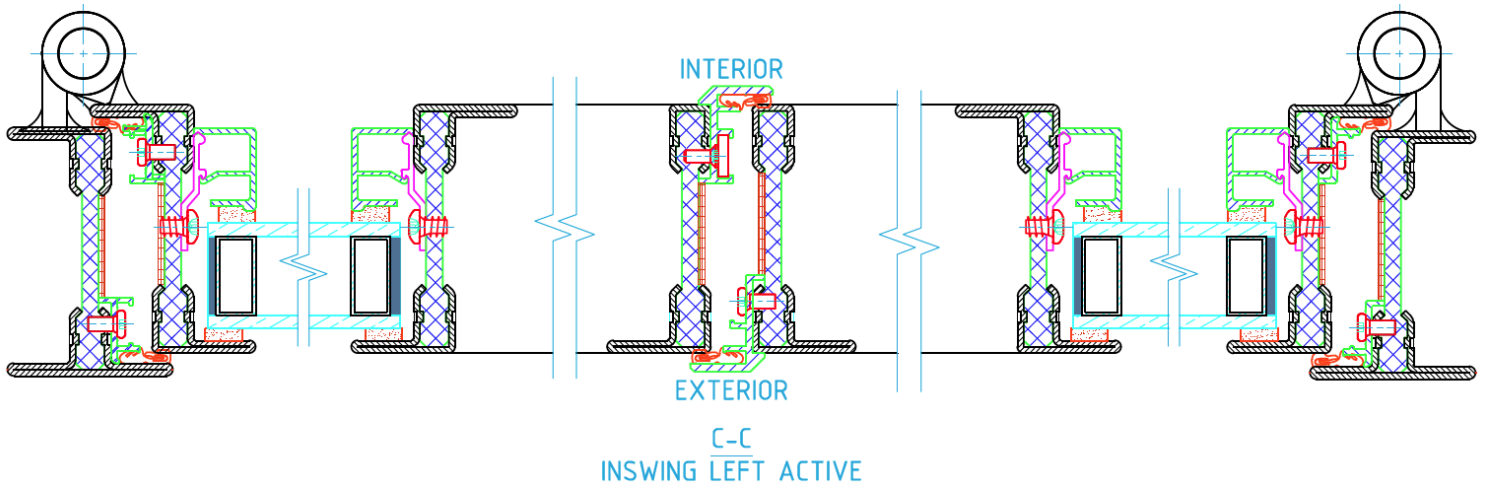
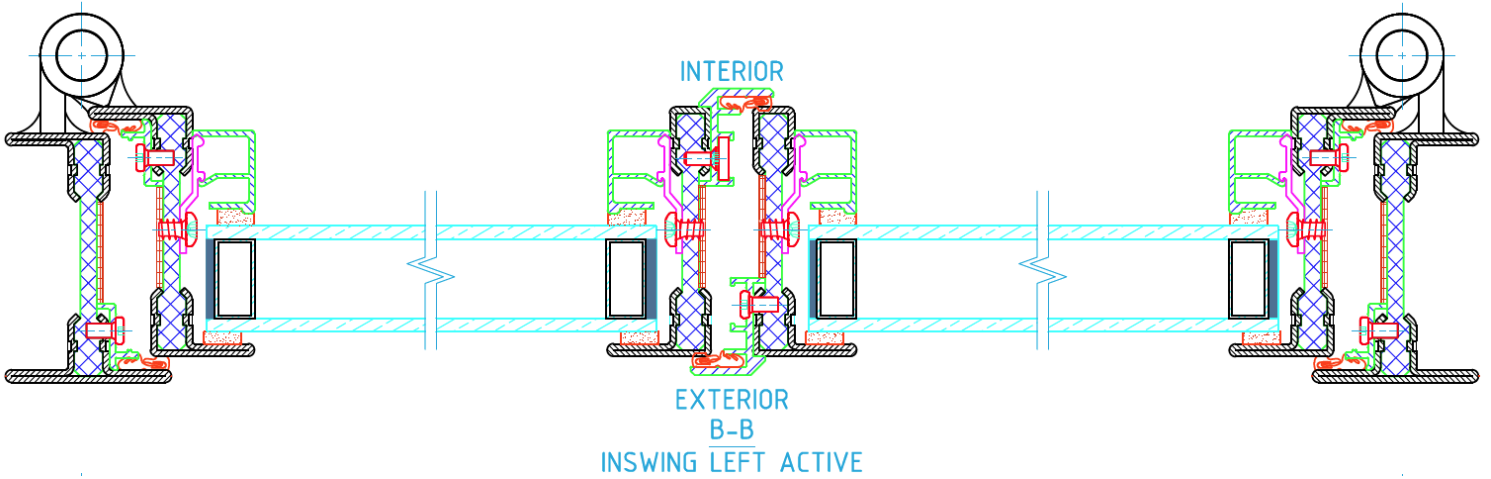
Inswing French Door



INSPIRATO

Door Options

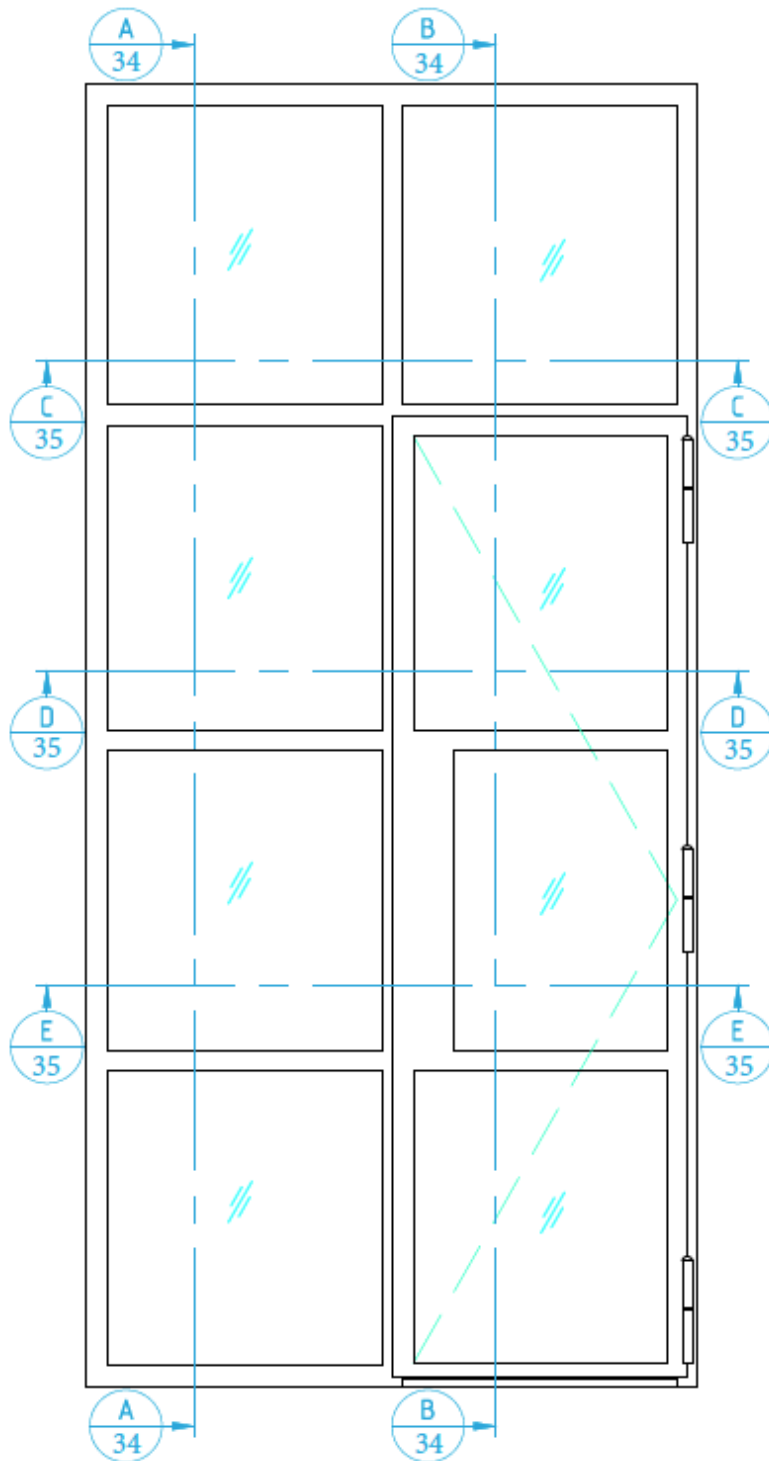
Inswing French Door



INSPIRATO

Door Options

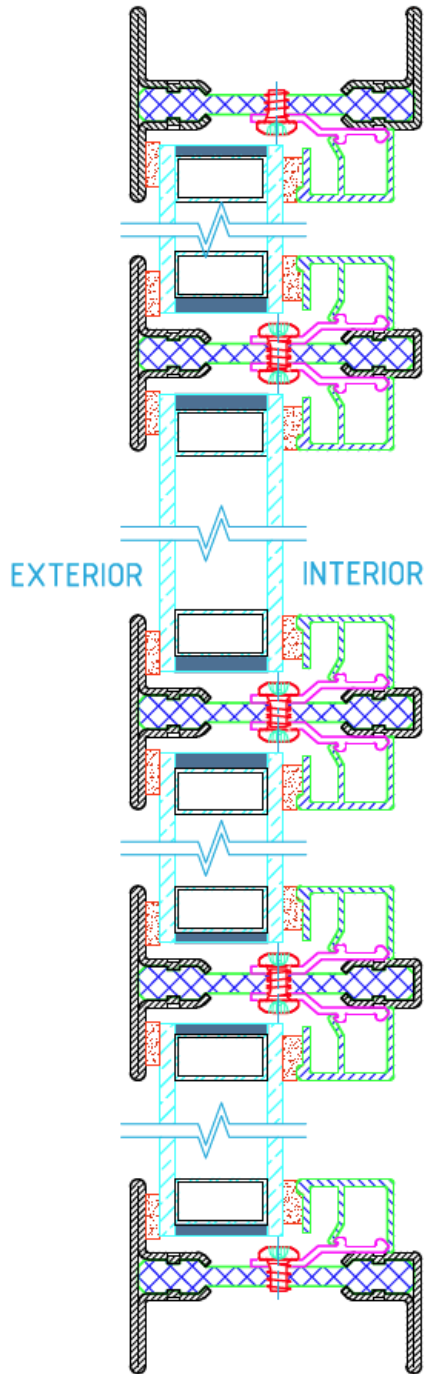
Side-lite, Transom & Outswing Door System



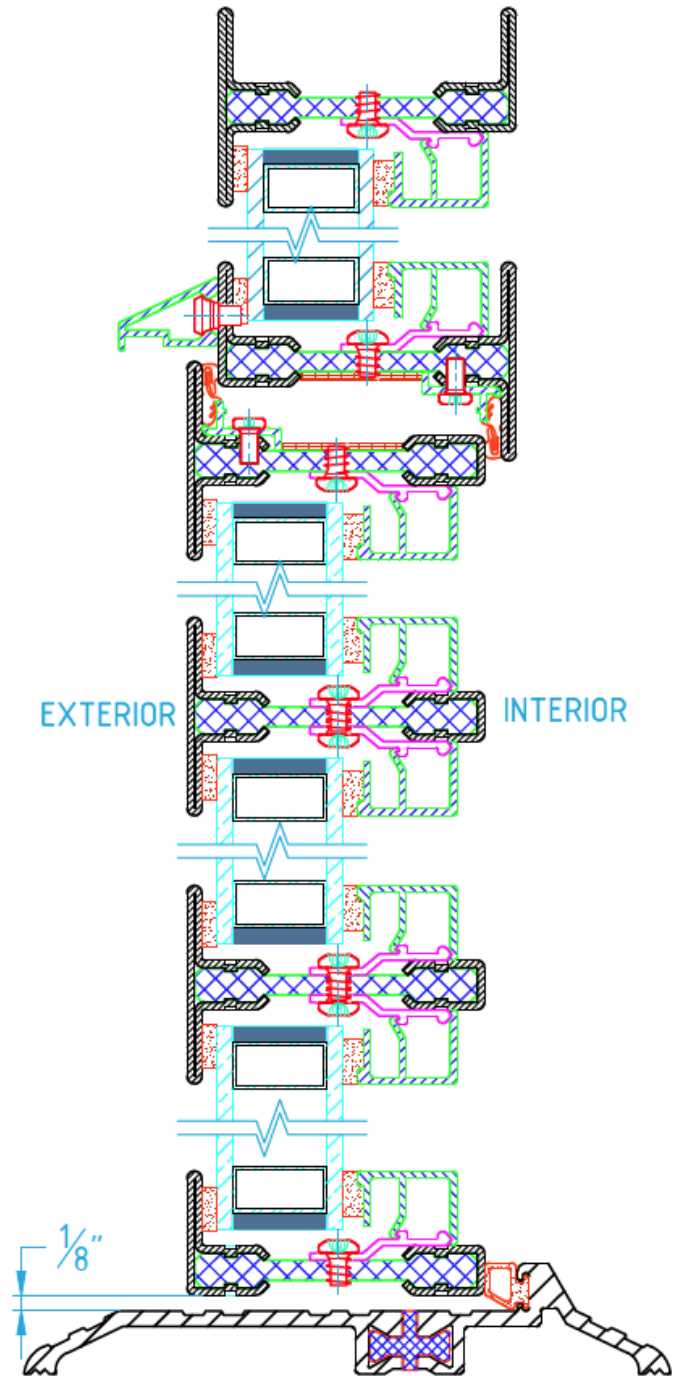
INSPIRATO

Door Options

Side-lite, Transom & Outswing Door System



A-A
FIXED

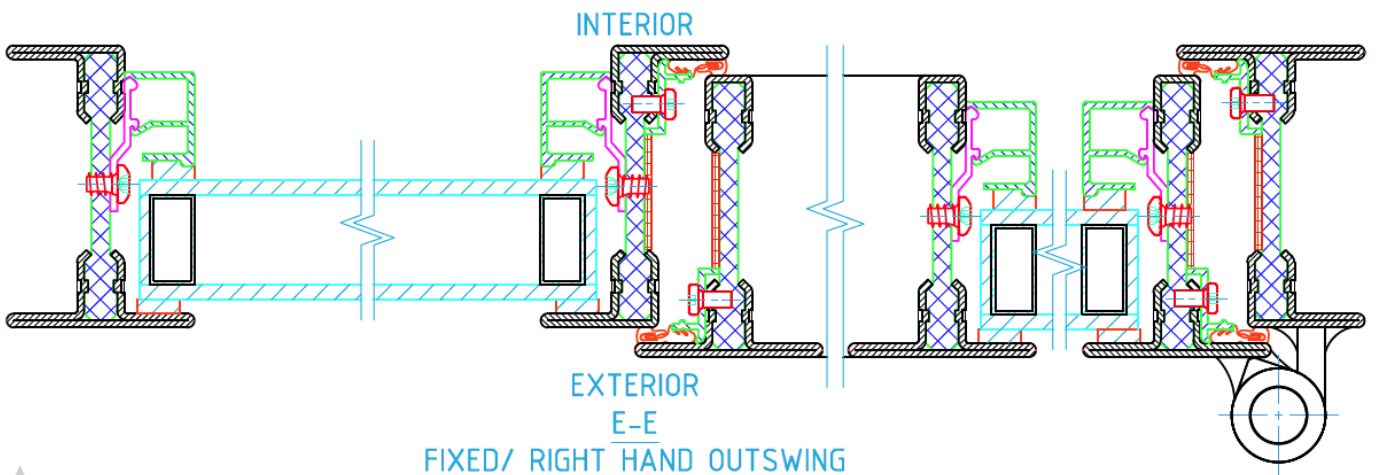
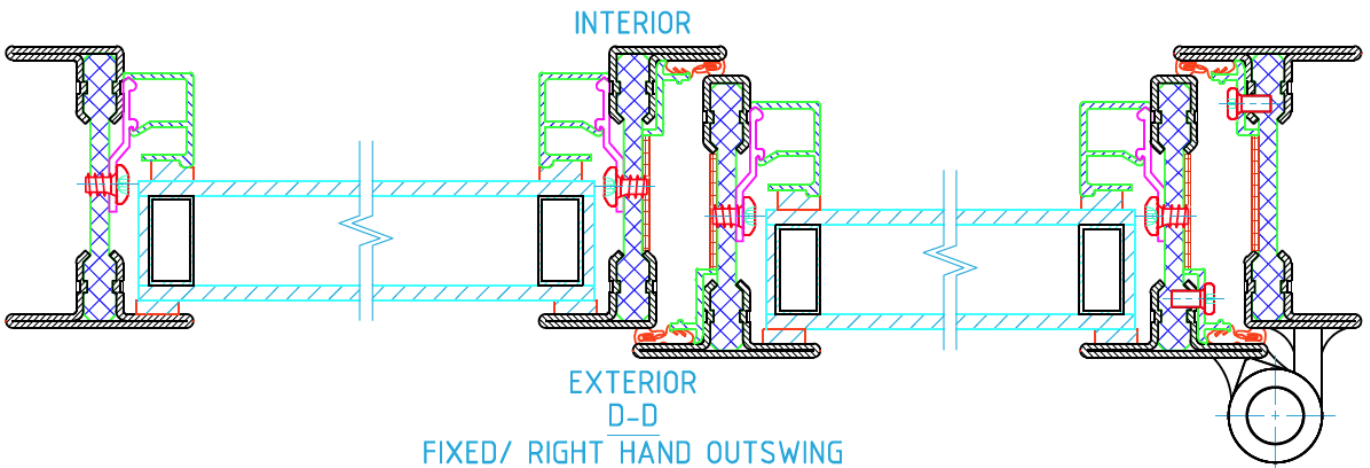
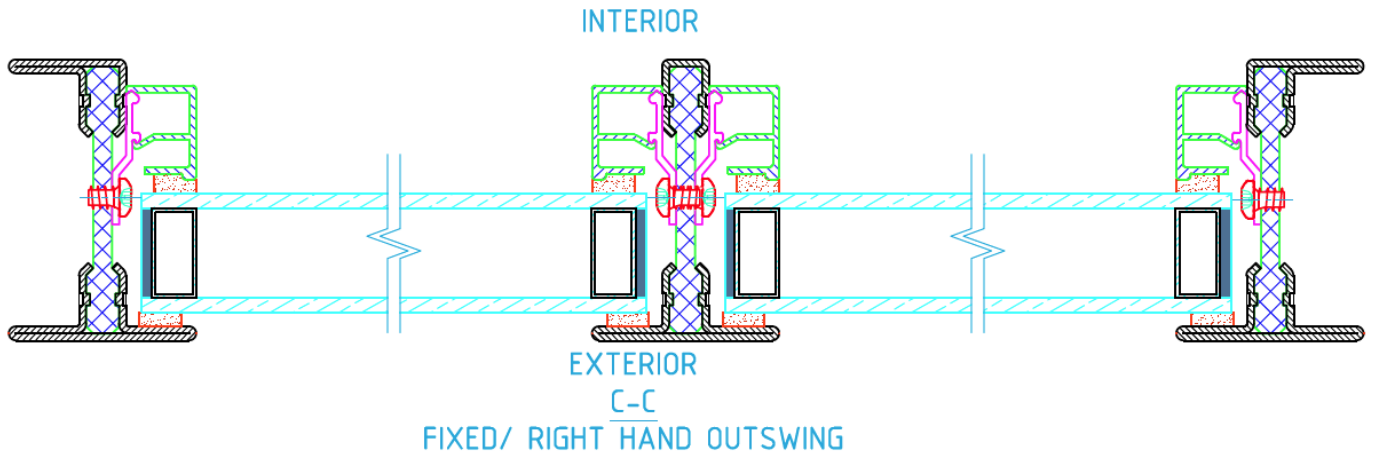


B-B
LEFT HAND OUTSWING

INSPIRATO

Door Options

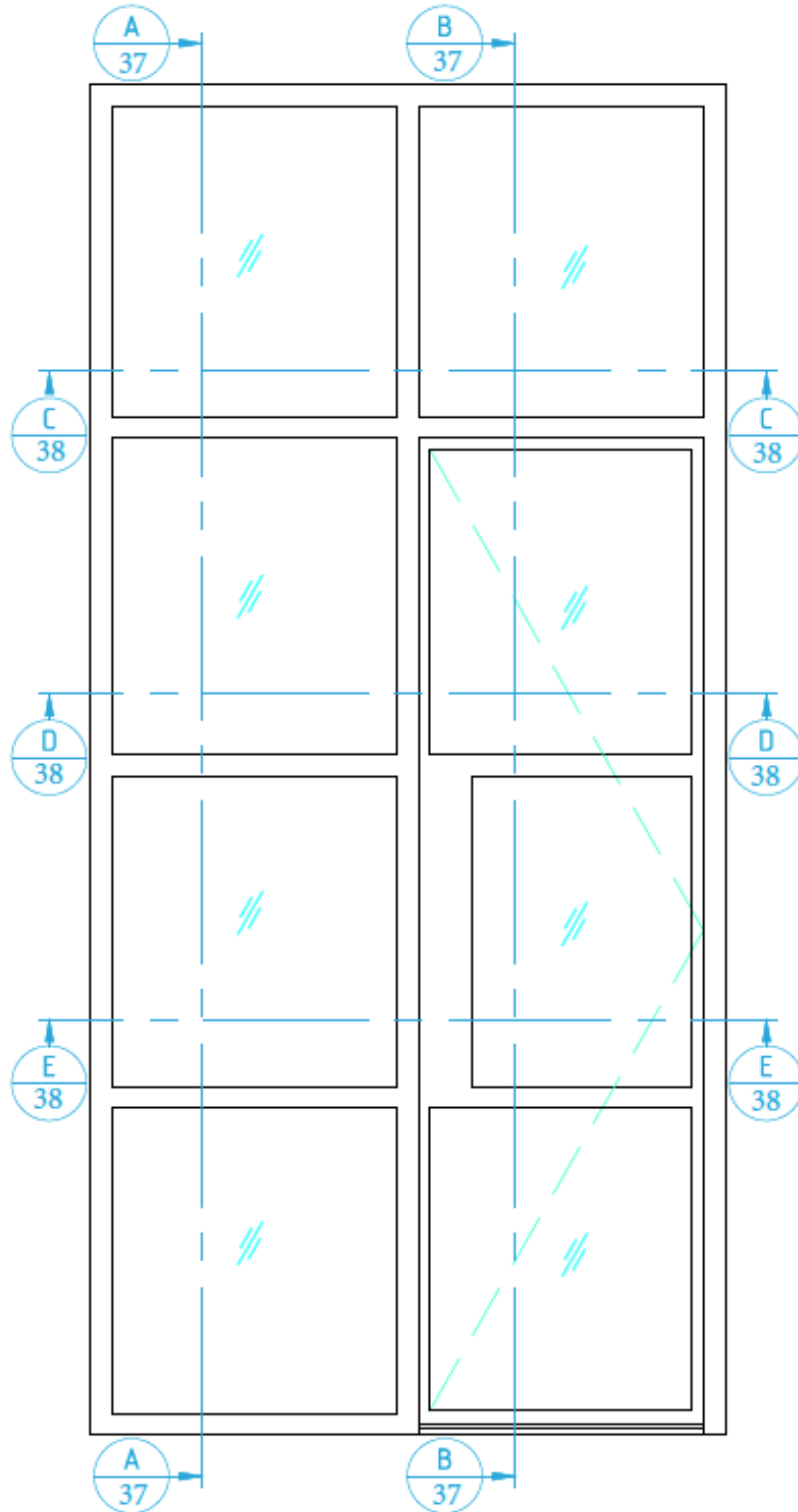
Side-lite, Transom & Outswing Door System



INSPIRATO

Door Options

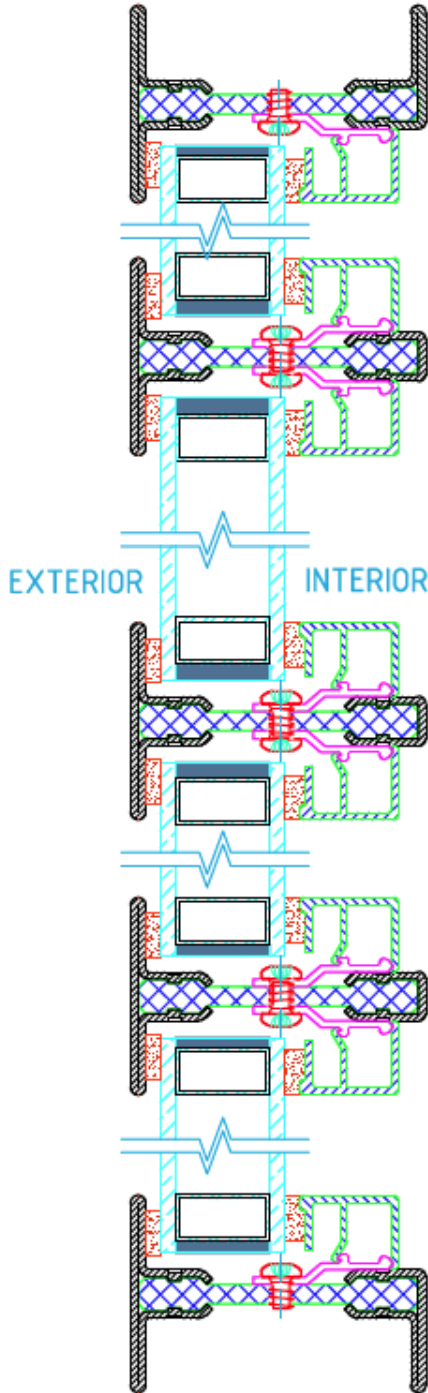
Side-lite, Transom & Inswing Door System



INSPIRATO

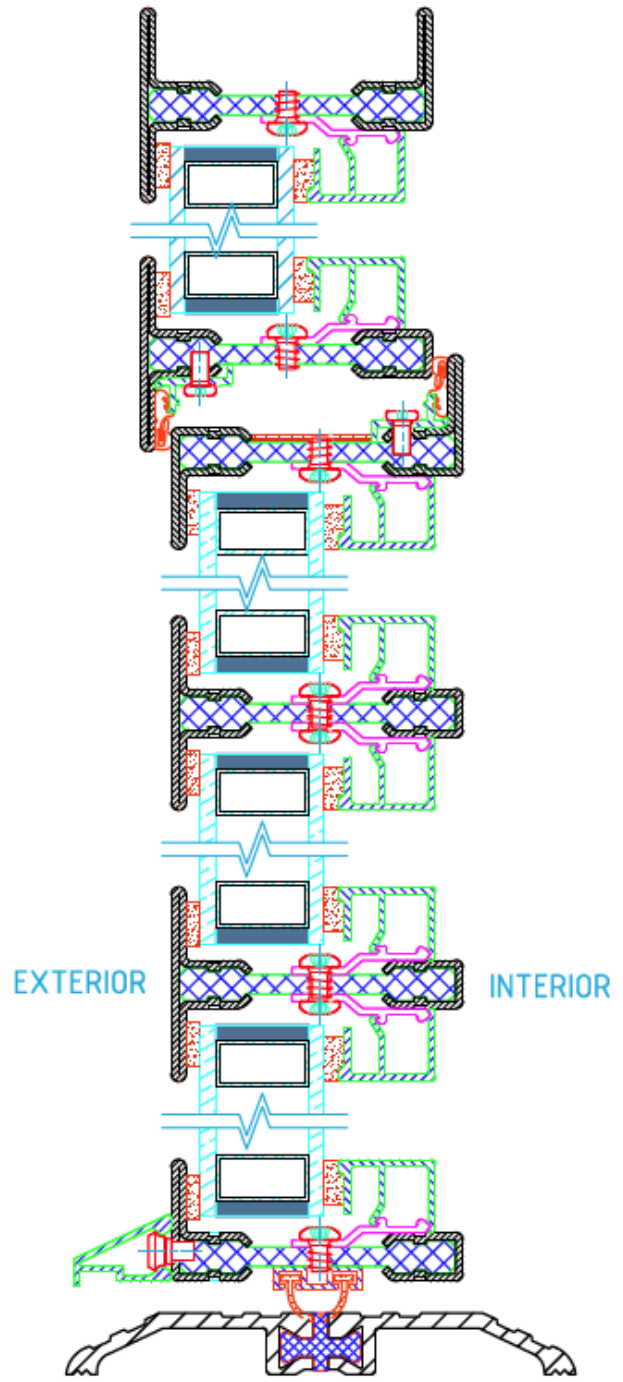
Door Options

Side-lite, Transom & Inswing Door System



EXTERIOR INTERIOR

A-A
FIXED



EXTERIOR INTERIOR

B-B
RIGHT HAND INSWING

INSPIRATO

Door Options

Side-lite, Transom & Inswing Door System

